



Burner Systems:

- G46- ** (P)
- G46- ** -02(M)(P)
- G46- ** -11(M)(P)
- G46- ** -15(M)(P)
- G46- ** -17(M)(P)

****Sizes:**
(18/20, 24, 30)

Regulated burner system for use w/ propane or natural gas



DESIGN CERTIFIED
to
Vented Decorative Appliance
ANSI Z21.60-2017
CSA 2.26-2017

**FOR INSTALLATION IN
SOLID-FUEL BURNING
FIREPLACES***

G46 VENTED GAS LOG SETS

WARNING: If the information in this manual is not followed exactly, a fire or explosion may result, causing property damage, personal injury, or loss of life.

- Do not store or use gasoline or other flammable vapors and liquids in the vicinity of this or any other appliance.

- WHAT TO DO IF YOU SMELL GAS:

- Do not try to light any appliance.
- Do not touch any electrical switch; do not use any phone in your building.
- Immediately call your gas supplier from a neighbor's phone. Follow the gas supplier's instructions.
- If you cannot reach the gas supplier, call the fire department.
- Open a window.

*Installation and service must be performed by a qualified installer, service agency, or the gas supplier.

This appliance is only for use with the type of gas indicated on the rating plate.

IMPORTANT: READ THESE INSTRUCTIONS CAREFULLY BEFORE STARTING INSTALLATION OF THE UNIT.

The gas log set is to be installed only in a solid-fuel burning fireplace with a working flue and constructed of noncombustible material. The installation, and the provisions for combustion and ventilation air must conform to the *National Fuel Gas Code, ANSI Z223.1/NFPA 54*, or the *Natural Gas and Propane Installation Code, CSA B149.1*, and applicable local building codes.

This appliance is designed as an **attended appliance**. **DO NOT** leave this appliance burning when unattended.

***Note:** Solid fuels shall not be burned in a fireplace where a decorative appliance is installed.

INSTALLER:
Leave this manual with the appliance.
CONSUMER:
Retain this manual for future reference.



1083986

TABLE OF CONTENTS

IMPORTANT INFORMATION AND SPECIFICATIONS

LISTING AND CODE IMPORTANT INFORMATION..3	
<i>LISTING</i>3	
<i>CODE REQUIREMENTS</i>3	
<i>COMMONWEALTH OF MASSACHUSETTS REQUIREMENTS (if applicable)</i>3	
FIREPLACE IMPORTANT INFORMATION4	
<i>FIREPLACE REQUIREMENTS</i>4	
<i>MINIMUM FIREPLACE SIZE REQUIREMENTS</i>4	
<i>ASH LIP/RECESS REQUIREMENTS (if applicable)</i>4	
<i>GLASS DOOR REQUIREMENTS</i>5	
VENTING IMPORTANT INFORMATION.....6	
<i>VENTING REQUIREMENTS</i>6	
<i>MINIMUM PERMANENT FREE OPENING IN CHIMNEY</i> .6	
<i>BTU RATING</i>6	
<i>BATTERY SPECIFICATIONS</i>6	
INSTALLATION IMPORTANT INFORMATION.....7	
<i>PRE-INSTALLATION SAFETY GUIDELINES</i>7	
<i>INSTALLATION SAFETY GUIDELINES</i>7	
GETTING STARTED.....8	
DAMPER INSTALLATION.....8	
<i>BEFORE YOU BEGIN</i>8	
<i>TOOLS/ITEMS REQUIRED</i>8	

INSTALLATION AND FIRST OPERATION

BURNER INSTALLATION9	
<i>INSTALL BURNER</i>9	
<i>INSTALL BATTERIES (if applicable)</i> 10	
<i>POSITION SWITCH BOX (02 models only)</i> 11	
<i>INSTALL REMOTE RECEIVER (if equipped)</i> 11	
FIRST TIME LIGHTING AND OPERATION TEST.. 12	
<i>TEST CHECKLIST</i> 12	
<i>INSPECT/ADJUST PILOT FLAME</i> 12	
GRATE AND MEDIA INSTALLATION 13	
<i>ATTACH LOG LOCATORS</i> 13	
<i>POSITION GRATE AND CENTER</i> 13	
<i>SECURE BURNER TO FLOOR</i> 13	
<i>PLACE BURNER PAN MEDIA</i> 14	
<i>PLACE GLOWING EMBERS</i> 14	
<i>PLACE LAVA MEDIA (if option purchased)</i> 15	
<i>PLACE GRATE</i> 15	
LOG SET PLACEMENT..... 16	
COMPLETE THE INSTALLATION 16	

OWNER'S MANUAL AND OPERATION

OPERATION IMPORTANT INFORMATION..... 17	
<i>OPERATION SAFETY GUIDELINES</i> 17	
GETTING STARTED..... 18	
LIGHTING INSTRUCTIONS - MANUAL SERIES ... 19	
LIGHTING INSTRUCTIONS - 02 SERIES 21	
LIGHTING INSTRUCTIONS - 11 SERIES..... 23	
LIGHTING INSTRUCTIONS - 15 SERIES 26	
LIGHTING INSTRUCTIONS - 17 SERIES 29	
NOTES PAGE 32	

APPENDIX

REPLACEMENT PARTS LIST - MANUAL SERIES . 33	
REPLACEMENT PARTS LIST - 02 SERIES 34	
REPLACEMENT PARTS LIST - 11 SERIES..... 35	
REPLACEMENT PARTS LIST - 15 SERIES 36	
REPLACEMENT PARTS LIST - 17 SERIES 37	
ROUTINE MAINTENANCE AND SERVICE..... 38	
<i>INSPECT OVERALL INSTALLATION</i> 38	
<i>REPLACE THE BATTERIES (if applicable)</i> 38	
<i>SYNC THE REMOTE SYSTEM (if applicable)</i> 39	
<i>INSPECT PILOT FLAME</i> 39	
<i>INSPECT BURNER FLAME APPEARANCE</i> 39	
WIRING DIAGRAMS 40	
TROUBLESHOOTING..... 41	
ELECTRONIC PILOT TROUBLESHOOTING (IF APPLICABLE) 46	
FRENCH..... 47	
WARRANTY 64	

LISTING AND CODE IMPORTANT INFORMATION

LISTING

This appliance has been certified to:

DECORATIVE GAS APPLIANCES FOR INSTALLATION IN SOLID-FUEL BURNING FIREPLACES
ANSI Z21.60, CSA 2.26

It has been certified for use with either natural or propane gas, and is approved for installation in a solid-fuel burning fireplace.

CODE REQUIREMENTS

- A. The installation, and the provisions for combustion and ventilation air must conform to the *National Fuel Gas Code, ANSI Z223.1/NFPA 54, or the Natural Gas and Propane Installation Code, CSA B149.1*, and applicable local building codes.
- B. To comply with certification, listings, and building code acceptances, and for safe operation and proper performance of this gas log set, use ONLY Peterson parts and accessories. Use of other controls, parts, and accessories that are not designed for use with Real Fyre gas log sets are prohibited and will void all warranties, certifications, listings, and building code approvals, and may cause property damage, personal injury, or loss of life.
- C. This appliance may be installed in an aftermarket, permanently located, manufactured (mobile) home, where not prohibited by local codes. Installation of appliances designed for manufactured home (U.S. only) or mobile home installation must conform with the *Standard Mobile Housing, CAN/CSA Z240 MH*, in Canada, or with the *Manufactured Home Construction and Safety Standard, Title 24 CFR, Part 3280*, in the United States, or when such a standard is not applicable, *Manufactured Home Installations Standard ANSI/NCSBCS A225.1/NFPA 501A*.

COMMONWEALTH OF MASSACHUSETTS REQUIREMENTS (if applicable)

This appliance is approved for installation in the state of Massachusetts subject to the following requirements:

- A. Install this appliance in accordance with 248 C.M.R., the Rules and Regulations Governing Plumbers and Gas Fitters.
- B. The installer or service agent must be a plumber or gas fitter licensed in the Commonwealth of Massachusetts.
- C. The flexible gas line connector used must not exceed 36 inches (92 centimeters) in length.
- D. The fireplace damper must be removed or permanently fixed/welded in full open position prior to installing this product.

FIREPLACE IMPORTANT INFORMATION

FIREPLACE REQUIREMENTS

- A. This gas log set is to be installed only in a solid-fuel burning fireplace with a working flue and constructed of noncombustible material. Solid fuels shall not be burned in a fireplace where a decorative appliance is installed.
- B. **WARNING:** When installing in a solid-fuel-burning fireplace, the chimney flue, damper, and firebox must be thoroughly CLEANED of soot, creosote, ashes, and loose paint, and must be inspected by a qualified chimney cleaner. Some older fireplaces may need repair prior to installing this appliance.
- C. The fireplace floor must be level and smooth.
- D. To install the gas appliance in your fireplace, the fireplace **MUST** meet the minimum size requirements (see below).
- E. **DO NOT** install this burner system in a fireplace with an ash lip or recess greater than $\frac{3}{4}$ " (see below).

MINIMUM FIREPLACE SIZE REQUIREMENTS

Model	Dimensions			
	Width *		Depth (C) ‡	Height (D)
	Front (A)	Rear (B) †		
G46-18/20	26"	20"	15"	17"
G46-24	30"	24"	15"	17"
G46-30	36"	29"	15"	17"
Important Information Regarding Dimensions				
* These required widths allow for centering of the unit. For 02 models, add 6" to front width and 4" to rear width.				
† Rear width is at corresponding depth.				
‡ If an ash lip exists, the depth requirement begins inside of the lip (see Fig. 4-2 below).				

Table 4-1: Minimum Fireplace Size Requirements

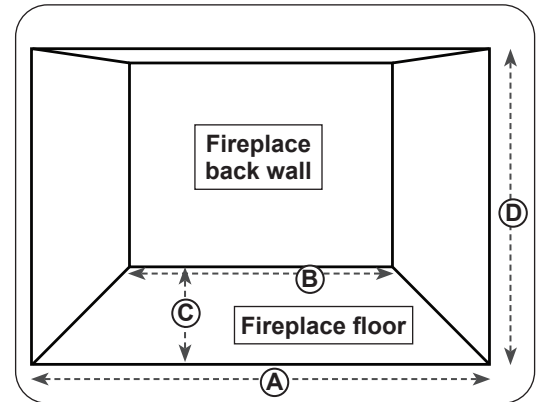


Fig. 4-1 Fireplace Dimensions Detail

ASH LIP/RECESS REQUIREMENTS (if applicable)

- **DO NOT** install this burner system in a fireplace with an ash lip or recess greater than $\frac{3}{4}$ ".
- The depth (as indicated in the chart above) begins inside of the lip.

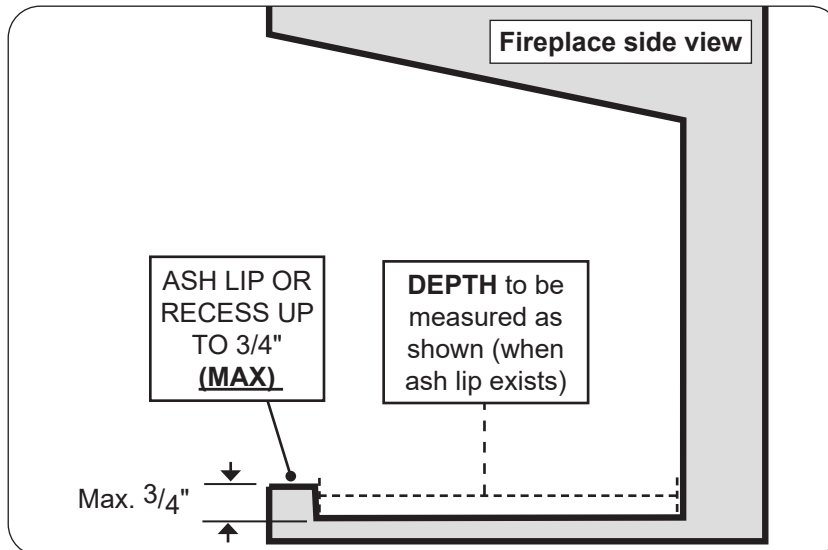


Fig. 4-2 Ash lip/recess detail

FIREPLACE IMPORTANT INFORMATION (CONT.)

GLASS DOOR REQUIREMENTS

If this burner system is installed in a fireplace with glass doors, and the door frame bottom is greater than 3/4" in height, the frame MUST have slots (above the fireplace floor) that allow adequate ventilation. This prevents airflow obstruction (to the fireplace floor). See Fig. 5-1.

Note: The doors can be installed in front of an ash lip (that meets the requirements on the previous page).

Important: The opening (with doors fully open) MUST meet the minimum fireplace size front width and height requirements. See the Table on the previous page and Fig. 5-1.

Important: The glass doors MUST be fully open when the burner is in operation.

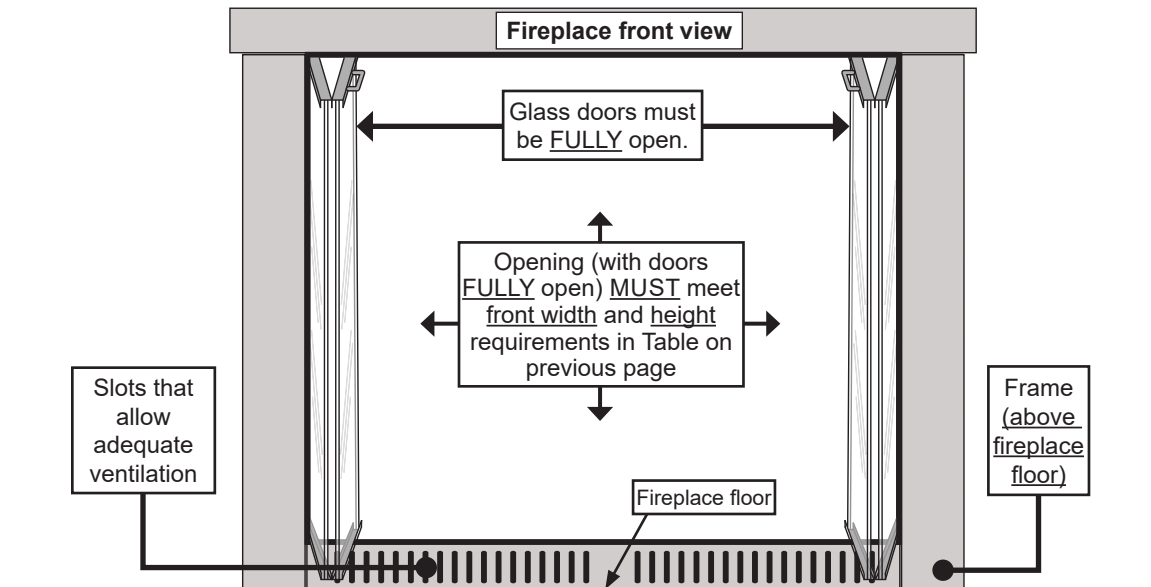


Fig. 5-1 Correct glass-doors frame setup, ventilation, and use (if applicable)

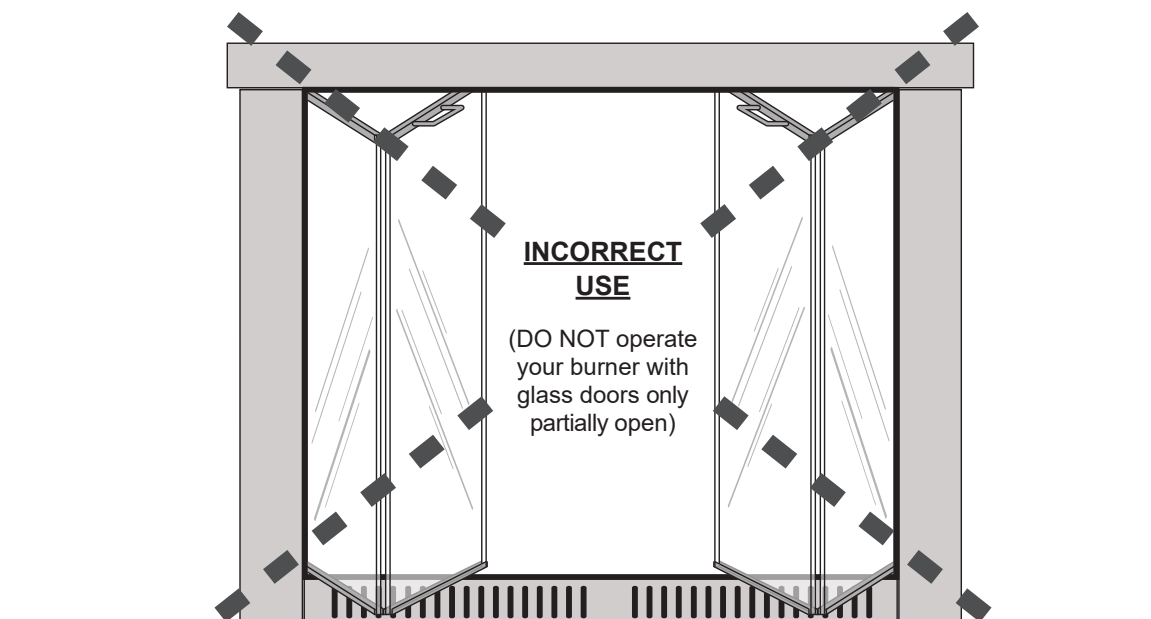


Fig. 5-2 Incorrect glass-doors frame setup, ventilation, and use (if applicable)

VENTING IMPORTANT INFORMATION

VENTING REQUIREMENTS

- A. A damper clamp, which **MUST** be permanently installed, is included to maintain the minimum permanent free opening requirement in the fireplace chimney, and to prevent full closure of the chimney damper. See table below for the free opening requirement specific to your model and setup.
- B. **The chimney damper MUST be fully open when burning the unit.** The unit is designed to burn with yellow flames; thus adequate ventilation is absolutely necessary.
- C. The minimum chimney height from hearth to top of chimney is 15'.

MINIMUM PERMANENT FREE OPENING IN CHIMNEY

Chimney height	For factory-built fireplaces		
	18/20"	24"	30"
15'	18 sq. in.	24 sq. in.	30 sq. in.
20'	15 sq. in.	21 sq. in.	25 sq. in.
30'	12 sq. in.	16 sq. in.	19 sq. in.
	For masonry-built fireplaces		
15'	27 sq. in.	35 sq. in.	41 sq. in.
20'	24 sq. in.	32 sq. in.	38 sq. in.
30'	22 sq. in.	29 sq. in.	34 sq. in.

Table 6-1: Minimum permanent free opening (at fireplace chimney/damper)

THESE ARE MINIMUM SPECIFICATIONS FOR THE PERMANENT FREE OPENING REQUIREMENT

PRODUCT SPECIFICATIONS

BTU RATING

Model	Rating	
	Nat. Gas	L.P. Gas
G46-18/20	40k	40k
G46-24	55k	55k
G46-30	65k	65k

Table 6-1: BTU Rating

BATTERY SPECIFICATIONS

Specification	Value	Qty.
02 burner system battery type	D battery	2
Remote transmitter battery type	12V battery	1
Remote receiver battery type	AA battery	4

Table 6-2: Battery Specifications (if applicable)

INSTALLATION IMPORTANT INFORMATION

CAUTION: Installation and repair must be done by an NFI Certified or other qualified professional installer.

Installer: Carefully read these instructions before installing this gas burner system. Be sure you understand all safety precautions and warnings contained in this manual.

PRE-INSTALLATION SAFETY GUIDELINES

- A. **A shut-off valve (not included) in the gas supply line is required.** It must be installed upstream of the unit and must be easily accessible. The shut-off valve cannot be located in the fireplace firebox. Refer to the NFPA 54 guidelines for further details.
- B. A sediment trap in the gas supply line is recommended where applicable. It should be installed downstream of the shut-off valve as close to the unit as possible. Refer to the NFPA 54 guidelines for further details.
- C. This appliance is only for use with the type of gas indicated on the rating plate. This appliance is **NOT FIELD CONVERTIBLE** for use with other gasses.
CHECK GAS TYPE (natural or L.P.): The gas supply must be the same as stated on your burner system rating plate. If gas supply is different, **DO NOT INSTALL**. Contact your dealer for immediate assistance.
- D. **This appliance is to be installed only in a solid-fuel burning fireplace, with all fireplace requirements (including firebox dimensions) and venting requirements met. See previous FIREPLACE IMPORTANT INFORMATION and VENTING IMPORTANT INFORMATION sections for complete details.**
- E. **INSUFFICIENT GAS PRESSURE WILL KEEP THE UNIT FROM OPERATING PROPERLY. DO NOT USE IF GAS PRESSURE IS LOWER THAN THE MINIMUM REQUIREMENT.**
- F. The *minimum* inlet gas-supply pressure for purposes of input adjustment is **5"** water column (w.c.) on **natural gas** and **11"** w.c. on **L.P. gas**. Insufficient gas pressure will affect proper operation of the unit. Do not install this gas appliance if minimum pressure is not available. The *maximum* inlet gas-supply pressure is **10.5"** w.c. on natural gas and **13"** w.c. on L.P. gas. **The L.P. source must be regulated, located outside, and hard-lined in (rigid pipe must come into the fireplace). DO NOT connect this appliance to an unregulated L.P. gas tank/cylinder. DO NOT locate the tank/cylinder inside of the home. DO NOT run a rubber hose or flex connector into the fireplace. Failure to follow these requirements can cause an explosion, property damage, personal injury, or loss of life.**
- G. **The gas piping system must be sized to provide minimum inlet pressure at the maximum flow rate (BTU/hr).** Undue pressure loss will occur if the pipe is too small, or the run is too long. Gas supply pipe must be 1/2" minimum interior diameter. If the gas line is longer than 20', a larger diameter line may be necessary. Refer to the NFPA 54 guidelines for further details.
- H. Input ratings shown in BTU per hour are for elevations up to 2,000 ft. For elevations above 2,000 ft., refer to the National Fuel Gas Code or contact manufacturer before installing this product.

INSTALLATION SAFETY GUIDELINES

- A. **BE CAREFUL: If not installed, serviced, and used correctly per these instructions, this product can cause serious personal injury, property damage, or loss of life.**
- B. This gas appliance and its appliance main gas valve must be disconnected from the gas supply piping system during any pressure testing of that system at test pressures in excess of 1/2 psi (3.5 kPa).
- C. This gas appliance must be isolated from the gas supply piping system by closing the gas supply shut-off valve during any pressure testing of the gas supply piping system at test pressures equal to or less than 1/2 psi (3.5 kPa).

GETTING STARTED

BEFORE YOU BEGIN

Important: Prior to installation ensure that all specifications and requirements in this manual are observed. You must read all warnings and important information, and understand all of the information in this manual. All requirements must be observed and met.

WARNING: Failure to position the parts in accordance with these diagrams or failure to use only parts specifically approved with this appliance may result in property damage or personal injury.

- The burner system must be installed by a qualified professional service technician.
- Instructions must be followed carefully to ensure proper performance and full benefit from the burner system.
- Be sure the gas supply is turned off at its source.
- Check to be sure the burner system is designed and labeled for the type of gas (natural or propane) supplied to the fireplace.
- Confirm the installation site accommodates the unit per the requirements in this manual. Ensure the fireplace floor is level, clean, and smooth.
- Remove all packing material (including any protective coatings) and discard prior to installation.
- Refer to the REPLACEMENT PARTS LIST when following installation instructions.

TOOLS/ITEMS REQUIRED

The following are the minimum tools required for the installation of your unit. Additional tools may be required for your individual installation.

- appropriate tools/items for gas supply install
- medium Phillips screwdriver
- cordless drill
- drill bits and drivers (based on hardware used)
- small adjustable wrench
- pliers
- hardware for securing burner into fireplace floor
- small flathead screwdriver

DAMPER INSTALLATION

CAUTION: The chimney damper **MUST** be fixed in a manner that will maintain the minimum permanent vent opening at all times. See below.

The chimney damper **MUST** be fully open when burning the unit.

The damper clamp with hex bolt is provided as a means to prevent full closure of the damper blade. It must be permanently installed.

Attach the damper clamp to the damper blade with pliers or a small adjustable wrench. See Fig. 8-1 through Fig. 8-3.

Note: Should the clamp not fit or fail to provide the permanent vent opening listed in the Table found in the VENTING IMPORTANT INFORMATION section, have a permanent stop installed, remove the damper blade, or have the damper cut to provide the minimum permanent free opening required.

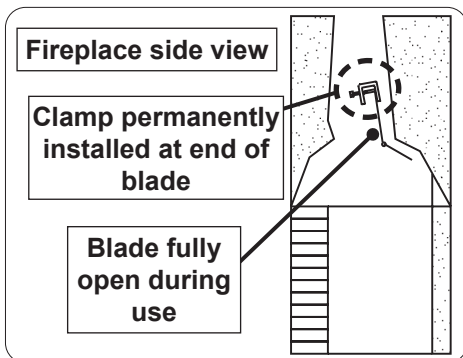


Fig. 8-1 Install damper clamp

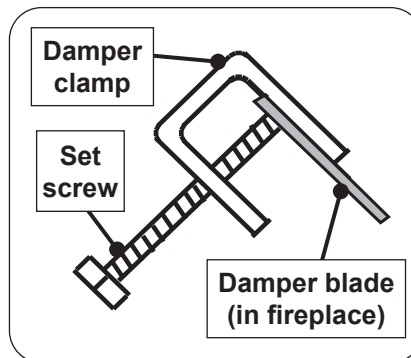


Fig. 8-2 Damper clamp detail

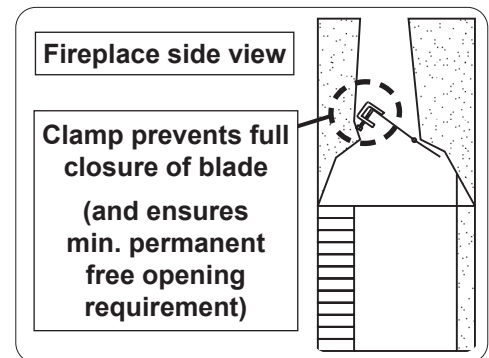


Fig. 8-3 Damper clamp function (if accidental closure)

Installation continued on next page

BURNER INSTALLATION

Refer to the **REPLACEMENT PARTS LIST** in the **APPENDIX** of this manual when following installation instructions.

24/30" burner, 11 model shown here (unless otherwise noted).

Note: Ensure the damper has been installed (per the previous page) before proceeding.

INSTALL BURNER

1. MAKE SURE FIREPLACE GAS SUPPLY IS TURNED OFF.
2. Locate the gas-supply stub inside the fireplace and remove the cap, if attached (reference Fig. 9-1).

CAUTION: When removing the cap, make sure the stub does not turn, loosening the connection inside the wall.

3. Place the burner system in the fireplace. Center the burner from left to right, and position as far back in the fireplace as possible. See Fig. 9-2.
4. **Be sure gas to the fireplace is off.** Remove the adapter connected to the flex connector (pre-installed on the burner system). Attach the adapter to the gas-supply stub using a pipe compound resistant to all gasses. Tighten securely. Then attach the open end of the flex connector to the adapter. Tighten securely. See Fig. 9-1.

Important: Ensure the pan is properly placed per step 3, and rests level on the fireplace floor. Adjust if necessary. See Fig. 9-2 and 9-3.

5. **LEAK TEST:** Make sure the burner valve is in the OFF position. Turn on the fireplace gas supply, and test at all connections for leaks using the appropriate soapy water solution. See Fig. 9-4. If bubbles appear, a leak is present. Turn off the gas and tighten at all connections. Repeat until no leaks are present. If a leak persists, turn off the gas supply and contact the local gas company or dealer. **NEVER USE A FLAME TO CHECK FOR LEAKS.**

For models with a switch box or a remote receiver, continue to the following sections (on batteries, the switch box, and the remote receiver).

For models without a switch box or a remote receiver, advance to the FIRST TIME LIGHTING AND OPERATION section.

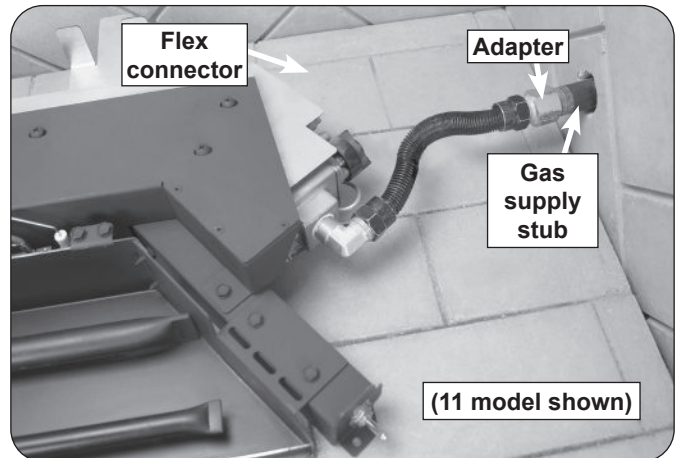


Fig. 9-1 Connect burner to gas supply

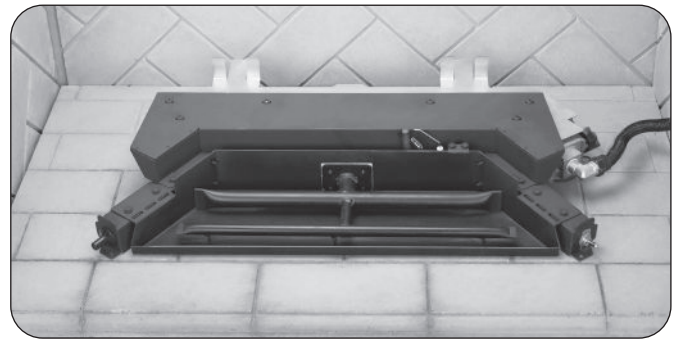


Fig. 9-2 Position burner pan in fireplace

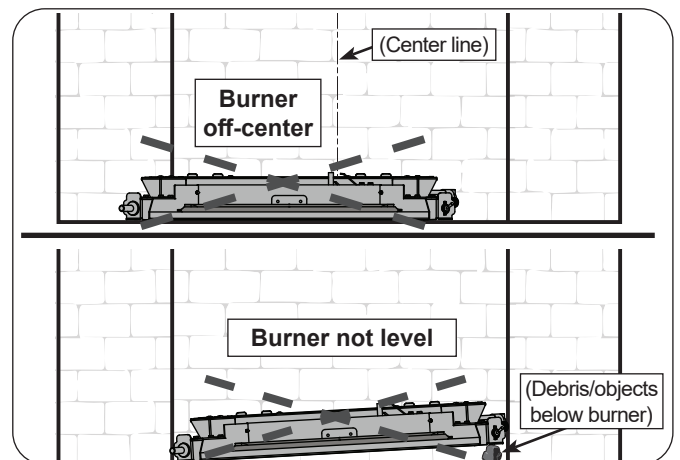


Fig. 9-3 INCORRECT burner pan placement

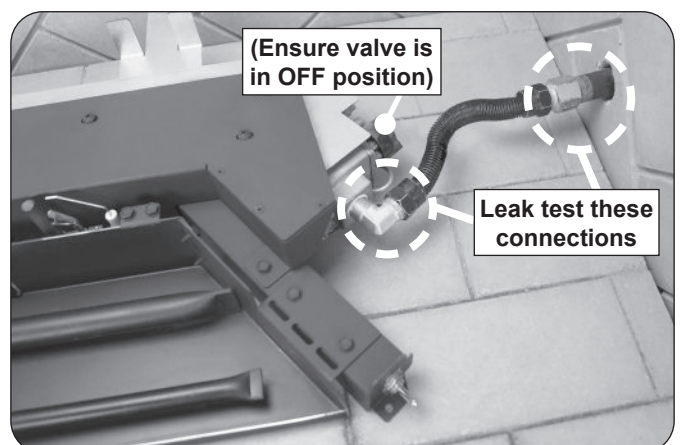


Fig. 9-4 Perform leak test

BURNER INSTALLATION (CONT.)

INSTALL BATTERIES (if applicable)

Prior to inserting batteries:

- ensure the unit is connected to the gas line, has been tested for leaks, and is off and cool.
- apply a small amount of dielectric grease to both ends of each battery. This will ensure conductivity and prevent moisture from affecting the contact.

Remote Transmitter Battery

The remote transmitter requires one 12V battery to operate (included).

Locate the transmitter, remove the lid (found on rear), and properly insert the new battery as marked. Re-secure the lid. See Fig. 10-1.

Remote Receiver Batteries

The remote receiver requires 4 AA batteries to operate (included).

Locate the remote receiver and turn it over. Slide open the lid, and properly insert the new batteries as marked. Replace the lid. See Fig. 10-2.

Burner System Batteries (02 models)

The burner system requires 2 D batteries to operate (included).

Locate the switch box and turn it over. Use a Phillips screwdriver to remove the screw found on the side of the box, then remove the bracket. Properly insert the new batteries as marked. Replace the bracket. See Fig. 10-3.

Installation continued on next page



Fig. 10-1 Install transmitter battery

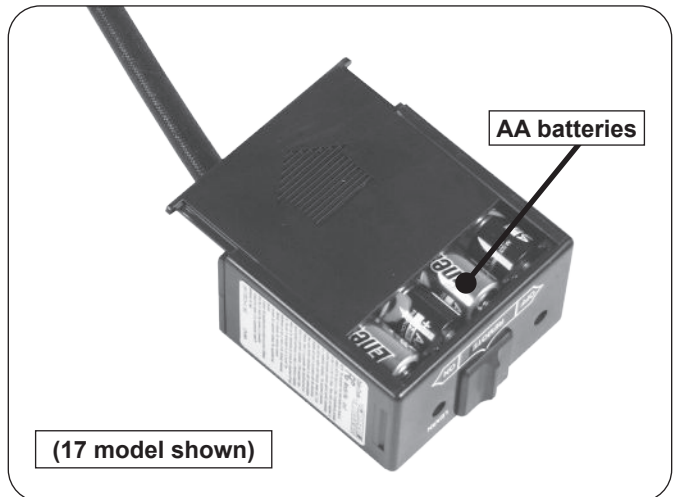


Fig. 10-2 Install remote receiver batteries

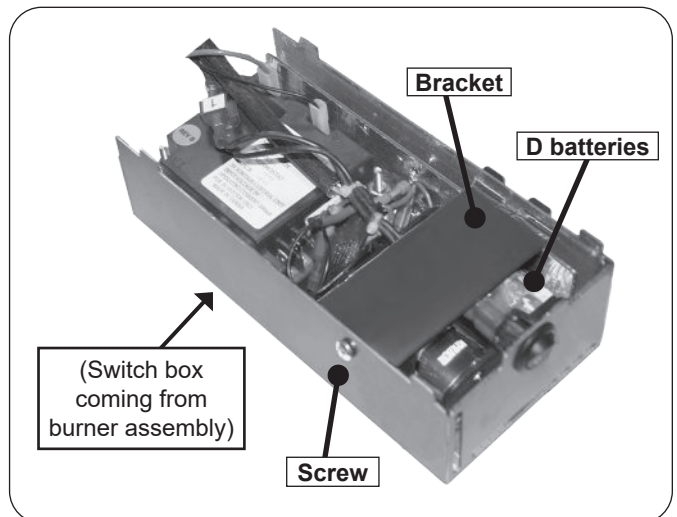


Fig. 10-3 Install burner system batteries

BURNER INSTALLATION (CONT.)

POSITION SWITCH BOX (02 models only)

1. It is recommended the switch box be placed outside of the firebox and a minimum of 6" from the burner/flame. See Fig. 11-1, A.

Alternatively, the box can be placed inside of the firebox, but must be oriented as shown in Fig. 11-1, B. Set the box on its side and place the bottom of the box toward the right firebox wall (box must be a minimum of 6" from the burner/flame). DO NOT place at the rear of the firebox.

Important: Ensure that the box wires remain away from the burner, valve, and flame at all times. Coil any excess wire within the box.

2. Place the large decorative heat shield over the switch box (see Fig. 11-1, A or B).

INSTALL REMOTE RECEIVER (if equipped)

If this unit was shipped with a remote, read and follow the separate remote instructions (packed with remote) for complete remote and decorative heat shield installation. Reference Fig. 11-2, A or B.

Installation continued on next page

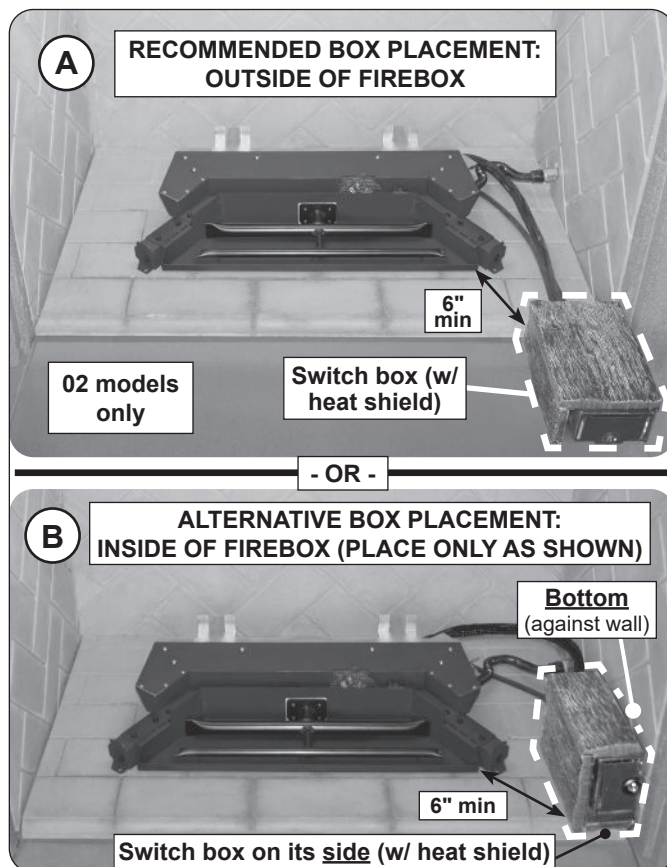


Fig. 11-1 Position switch box (02 models only)

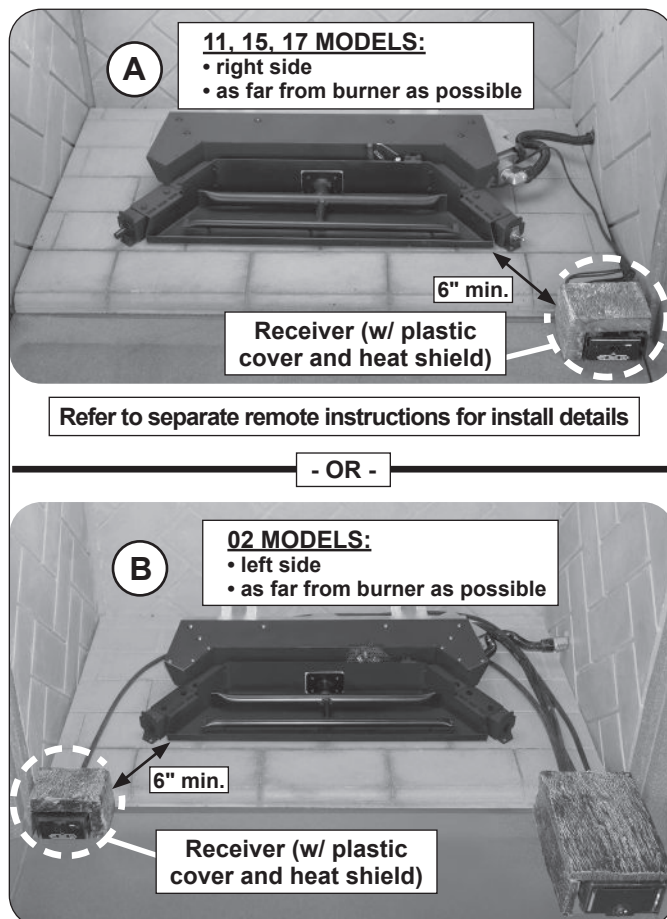


Fig. 11-2 Install remote receiver (if equipped)

FIRST TIME LIGHTING AND OPERATION TEST

Prior to proceeding with installation, perform a lighting and operation test as instructed below.

Important: For all valves, the air **MUST** be purged from the gas line before the pilot will light and burn properly. The time needed to purge will depend on the length of the gas line to the unit and the amount of time since the unit or gas line was last used. It may take several minutes before all the air is purged and the pilot will light and burn properly.

TEST CHECKLIST

1. Turn on the gas supply.
2. Refer to LIGHTING INSTRUCTIONS in the CONSUMER section and follow the checklist below:
 - Light pilot (if applicable)
 - Inspect/adjust pilot - see section below
 - Light burner manually
 - Adjust flame height manually (if applicable)
 - Shut down burner
 - Light burner with remote (if applicable)
 - Adjust flame height with remote (if applicable)
 - Shut down burner
 - Shut down pilot (if applicable)
3. Turn off the gas supply.

INSPECT/ADJUST PILOT FLAME

CAUTION: Be careful around hot surfaces.

Inspect the pilot flame. It should be a quiet, soft blue flame with yellow tipping that encircles the thermocouple/thermopile/heat sensor. See Fig. 12-1.

The pilot flame can be adjusted if needed. The pilot adjustment screw is located on the front of the gas valve. Using a small flat head screwdriver, adjust the pilot screw to properly size the flames. See Fig. 12-2. Turning the screw clockwise will lower the flame, and turning it counterclockwise will raise it. Be careful not to back the screw out of its threads.

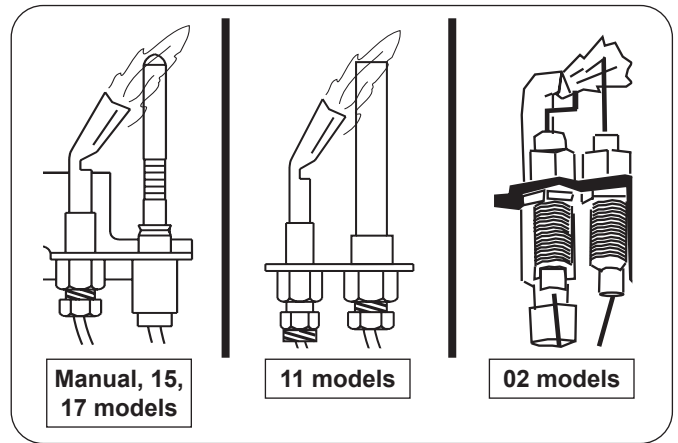


Fig. 12-1 Proper pilot appearance

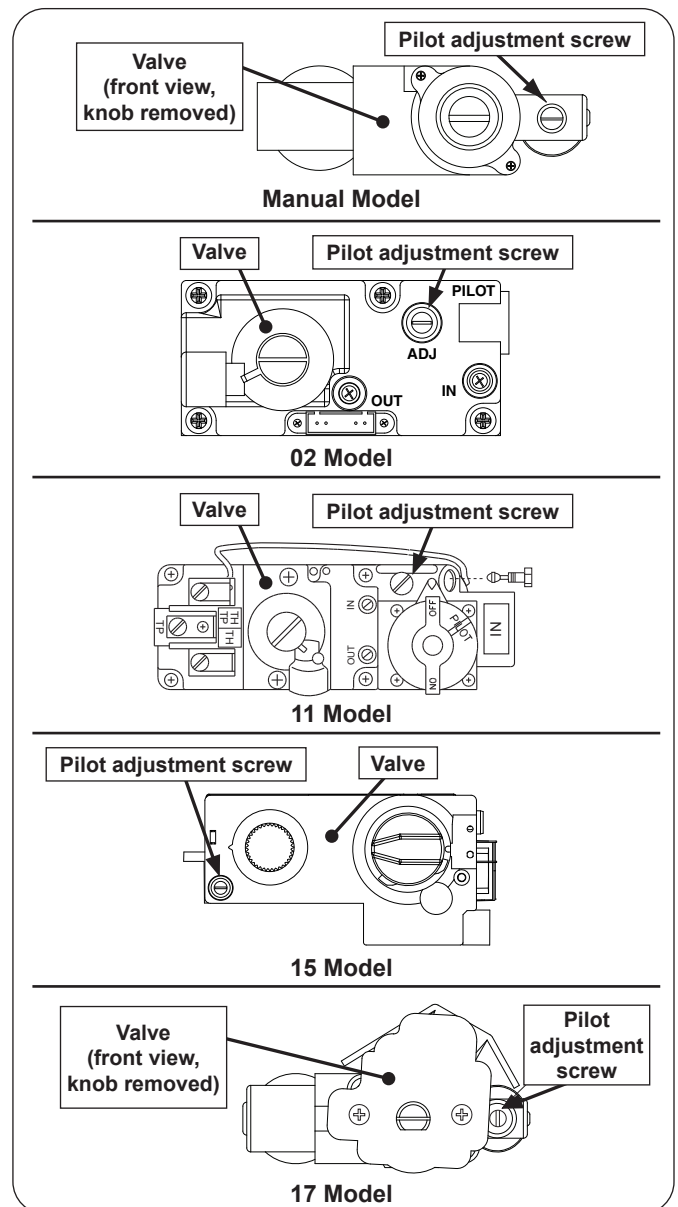


Fig. 12-2 Pilot adjustment detail (if needed)

CAUTION: After testing, ensure the unit and pilot are completely shutdown, and the gas supply is turned off. Allow the unit to completely cool. Then proceed to the following GRATE AND MEDIA INSTALLATION section.

GRATE AND MEDIA INSTALLATION

ATTACH LOG LOCATORS

1. Locate the grate (outside of the fireplace).
2. Temporarily place the front log at the front of the grate as shown in Fig. 13-1, A (to correctly determine the log locator position).
3. Attach the log locators to the 2 outer bars of the grate using the provided screws and nuts. See Fig. 13-1, Fig. 13-2, and the guidelines below.
 - Place the log locators on the middle of the outer bars with screw slots facing inward.
 - Slide the log locators up against the rear of the front log.
 - Tighten the log locators in place.
4. Remove the front log once done and proceed to the next section.

POSITION GRATE AND CENTER

1. Position the grate over the burner pan. Ensure it is up against the tabs on the rear of the burner, and that the assembly is centered from left to right, and as far back as possible (see Fig. 13-3).
2. Once the assembly is positioned, remove the grate and proceed to the next section.

SECURE BURNER TO FLOOR

The burner has two anchoring tabs located at its front (on left and right sides) and must be secured to the fireplace floor.

Using the appropriate hardware for your fireplace construction (not included), secure the burner into the fireplace floor (see Fig. 13-4).

Important: Ensure the burner is properly located when securing (see previous section).

Installation continued on next page

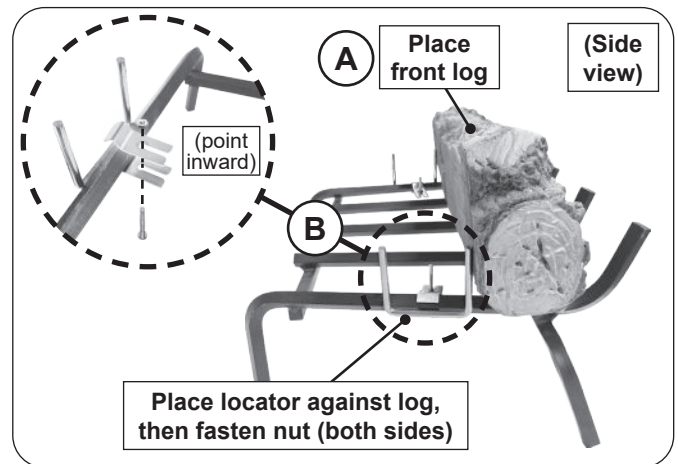


Fig. 13-1 Attach log locators to grate

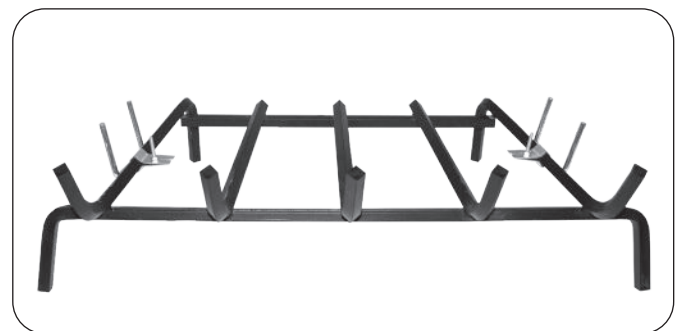


Fig. 13-2 Log locators attachment detail

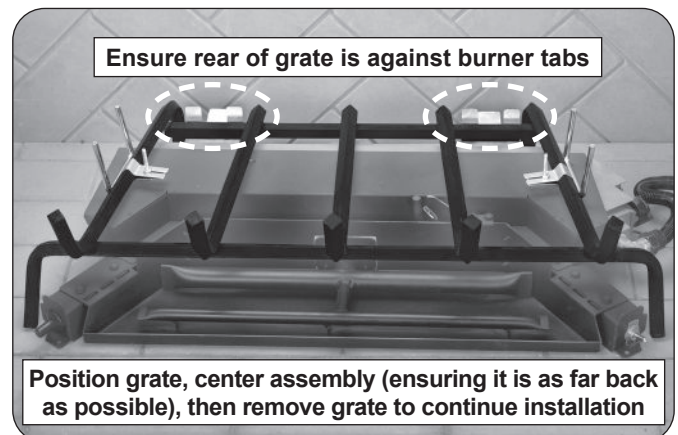


Fig. 13-3 Position grate and center assembly

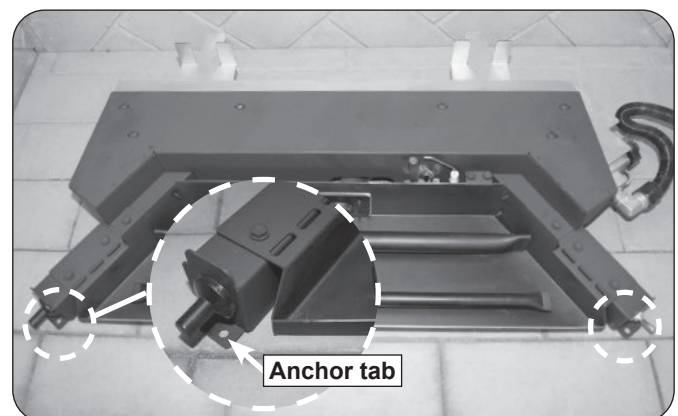


Fig. 13-4 Secure burner to floor

GRATE AND MEDIA INSTALLATION (CONT.)

PLACE BURNER PAN MEDIA

Fill the burner pan completely with the sand/vermiculite (see Fig. 14-1 and Fig. 14-2).

- **Slope the sand/vermiculite at the same angle as the burner pan.** This is important to ensure quiet lighting and even flame distribution. See Fig. 14-2.
- **Avoid spilling the sand/vermiculite on the pilot assembly. DO NOT place sand/vermiculite on any other parts of the burner.**
- **Use only sand for natural gas burners and vermiculite for propane gas burners.**
- Store unused media for later use/replacement.

PLACE GLOWING EMBERS

Sprinkle the glowing embers lightly and evenly over the entire surface of the sand/vermiculite as shown in Fig. 14-3.

- **Keep sand/vermiculite, embers, and all foreign objects away from the pilot assembly and valve assembly during media placement and at all times. See Fig. 14-4 for pilot detail.**
- Break up any clumps that may have developed during shipment.
- Store unused embers for later use/replacement.

Installation continued on next page



Fig. 14-1 Place burner pan media

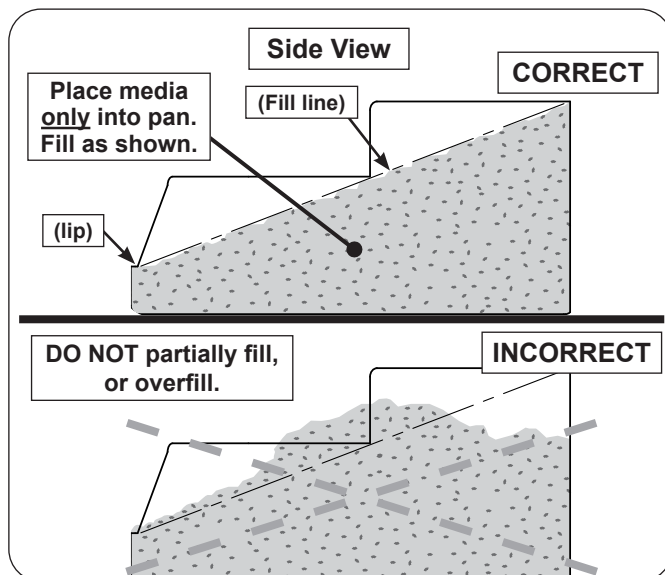


Fig. 14-2 Correct / Incorrect media placement



Fig. 14-3 Place glowing embers

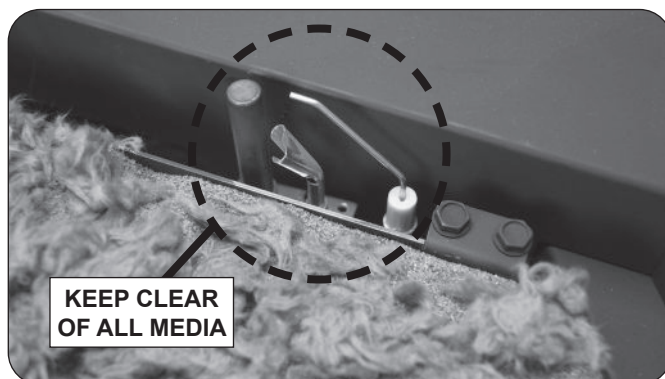


Fig. 14-4 Glowing embers placement detail

GRATE AND MEDIA INSTALLATION (CONT.)

PLACE LAVA MEDIA (if option purchased)

Optional lava granules and lava coals are available for decorative purposes. Contact your dealer for ordering information.

1. Spread the lava granules on the floor of the fireplace, around the front and sides of the burner system (see Fig. 15-1).
 - **DO NOT place any lava media on the burner system, behind it, or under a knob/igniter/switch if one exists (at the ends of the burner).** See Fig. 15-2.
 - If applicable, the lava media may be placed around the receiver/switch box. Leave the front of the receiver/switch box clear for control access.
 - Store unused granules for later use/replacement.
2. If lava coals were also purchased, repeat this process for the coals (on top of the already placed lava granules).

PLACE GRATE

Place the grate over the burner pan. Ensure it is centered, and up against the tabs on the rear of the burner (see Fig. 15-3).

At this stage the burner, media, and grate installation should look as depicted in Fig. 15-4.

Note: For 02 models, switch box is located on right side, and remote receiver on left side (if equipped).

Installation continued on next page

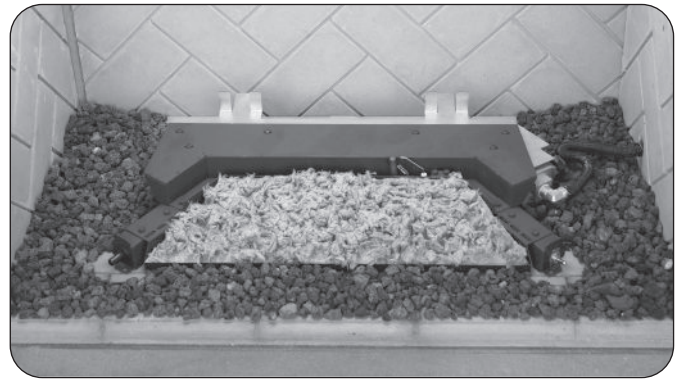


Fig. 15-1 Place lava media (if option purchased)

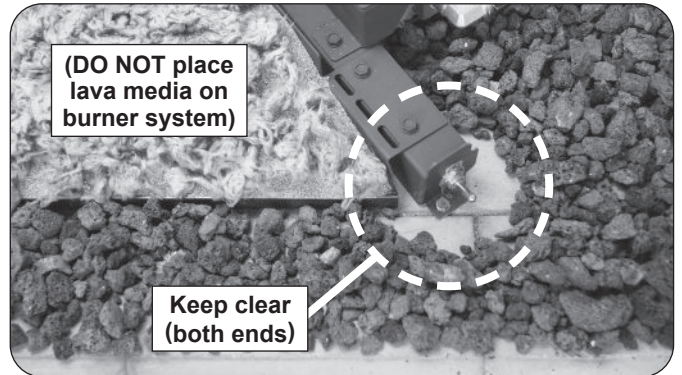


Fig. 15-2 Lava media placement detail

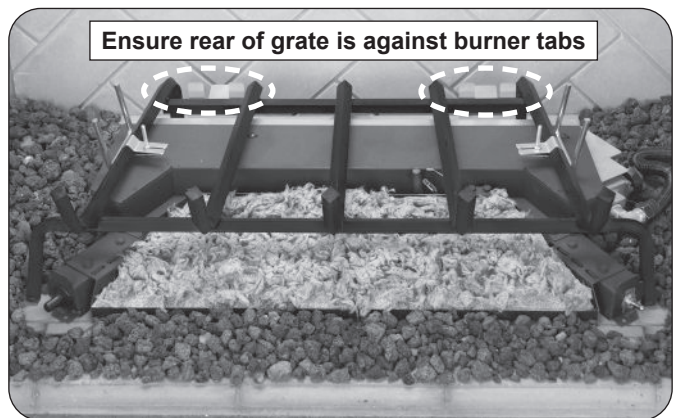


Fig. 15-3 Place grate

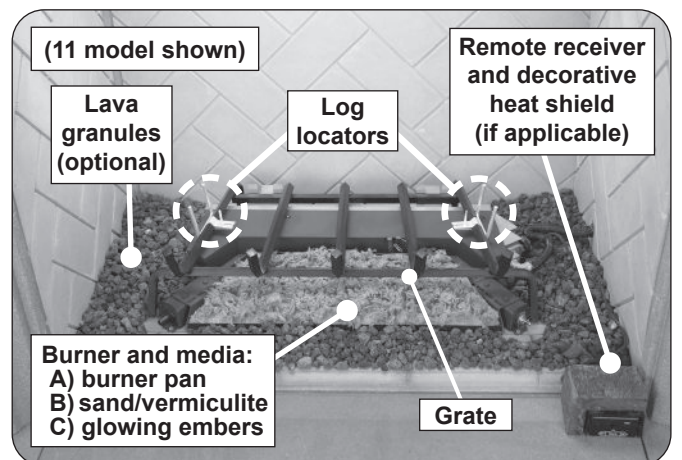


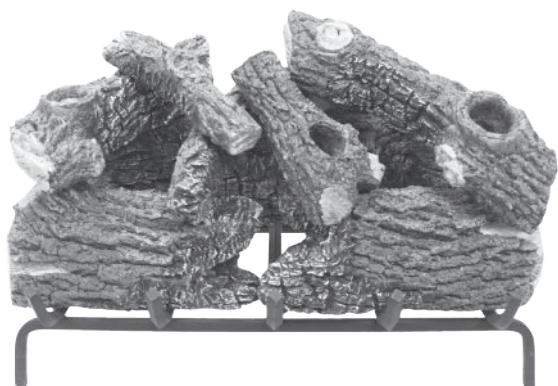
Fig. 15-4 Verify setup at this stage

LOG SET PLACEMENT

The log set is purchased separately. Many options are available. Contact your local dealer for ordering information if needed. **Follow the instructions included with the log set for step by step log placement.**

- Read all safety warnings and important information in the instructions supplied with the log set to ensure proper placement.
- DO NOT add any additional embers to this log set. Any additional embers will cause unsafe operation.
- IF A CHARRED LOG SET IS PURCHASED:
Discard the ember screen and additional embers provided with the charred log set as they are not applicable to this burner system.

Below are examples of available log sets for this burner system:



Charred Oak (CHD-24)



Golden Oak Designer Plus (RDP-24)

Important: Adequate ventilation is absolutely necessary! Provided significant, noticeable sooting does not occur, some flexibility is possible in log placement to suit your individual preference. If you experience a continued accumulation of black carbon (soot) on your logs it is an indication of incomplete combustion and you should move the effected log(s) so as to minimize the flame contact on the effected log(s). Read the instructions supplied with the log set completely and carefully.

CAUTION: Burn hazard! Logs will remain hot for some time after use. Use heat resistant gloves or allow logs adequate time to cool before handling.

COMPLETE THE INSTALLATION

Follow these final steps to complete installation:

1. Turn on the gas supply.
2. Refer to the LIGHTING INSTRUCTIONS section to light the pilot so that the burner system is ready for consumer use (not applicable for 02 models).
3. Leave this owner's manual with the consumer. They **MUST** completely read and understand the **OWNER'S MANUAL AND OPERATION** section prior to operation.

**If you experienced any issues during installation,
refer to the TROUBLESHOOTING section.**

OPERATION IMPORTANT INFORMATION

Consumer: Carefully read these instructions before operating this gas burner system. Be sure you understand all safety precautions and warnings contained in this manual.

OPERATION SAFETY GUIDELINES

- A. BE CAREFUL: If not used correctly per these instructions, this product can cause serious personal injury, property damage, or loss of life.**
- B.** Adults MUST be present when this gas appliance is operating. This appliance MUST NOT be left burning when unattended or while anyone is sleeping.
- C.** The remote receiver, switch box, and decorative heat shield(s) will be hot during and after operation.
- D. The chimney damper MUST be fully open when burning the unit.** The unit is designed to burn with yellow flames; thus adequate ventilation is absolutely necessary.
- E.** Keep the appliance area clear and free from combustible materials, gasoline, and other flammable vapors and liquids.
- F.** Keep sand/vermiculite, embers, and all foreign objects away from the pilot assembly and valve assembly at all times.
- G. DO NOT** use this appliance if any part has been under water. Immediately call a qualified service technician to inspect the appliance and to replace any part of the control system and any gas control which has been under water. Attempted operation may result in fire or explosion resulting in property damage, personal injury or loss of life.
- H. A fireplace screen must be in place when the appliance is operating.** Provisions for adequate combustion air must be maintained. Unless other provisions for combustion air are provided, the screen shall have an opening(s) for introduction of combustion air. Combustion air is adequate when all flames curl into the fireplace and away from the screen. **When a glass fireplace enclosure (door) is used, the glass doors MUST be fully open when the burner is in operation.**
- I.** Do not remove the rating plates or the warning tags. These are an integral safety and identification component of this appliance.
- J.** Be sure to read the ROUTINE MAINTENANCE & SERVICE section.

GETTING STARTED

BEFORE INITIAL USE

Ensure that:

- the unit has been properly installed and leak tested by a qualified professional service technician and as instructed in this manual.
- you have read and understand all of the information in this manual.

BEFORE EACH USE

Ensure that:

- the gas supply is turned on and the shut-off valve is open
- the propane tank/cylinder is not empty (if applicable)
- you smell around the area for gas. If you smell gas (and the burner valve is in **OFF** position), immediately shut off the gas supply and contact a qualified professional service technician or the gas supplier for inspection.
- the chimney damper is fully open
- there are no obstructions in front of the fireplace
- any glass doors meet all requirements and are fully open
- there are batteries with an adequate power level in the switch box and/or remote transmitter (as applicable)
- you inspect the overall installation for issues or missing components

Proceed to the LIGHTING INSTRUCTIONS specific to your model.

LIGHTING INSTRUCTIONS - MANUAL SERIES

FOR YOUR SAFETY, READ BEFORE LIGHTING

WARNING: If you do not follow these instructions exactly, a fire or explosion may result causing property damage, personal injury or loss of life.
Be cautious around all hot surfaces.

- A. This appliance has a pilot that can be lit using the built-in piezo igniter, or by hand using a long fireplace match or lighter. When lighting the pilot, follow these instructions exactly.
- B. **BEFORE LIGHTING**, smell all around the appliance area for gas. Be sure to smell next to the floor because some gas is heavier than air and will settle on the floor.

WHAT TO DO IF YOU SMELL GAS

- Do not try to light any appliance.
 - Do not touch any electric switch; do not use any phone in your building.
 - Immediately call your gas supplier from a neighbor's phone. Follow the gas supplier's instructions. If you cannot reach your gas supplier, call the fire department.
- C. Use only your hand to push in or turn the gas control knob. Never use tools. If the knob will not push in or turn by hand, don't try to repair it. Call a qualified professional service technician. Force or attempted repair may result in fire or explosion.
 - D. Do not use this appliance if any part has been under water. Immediately call a qualified professional service technician to inspect the appliance and to replace any part of the control system and any gas control which has been under water.

PILOT OPERATION

Lighting

1. STOP! Read the safety information above.
2. Locate the valve on the side of the unit. Push in the gas control knob slightly and turn clockwise to **OFF** (see Fig. 19-2).

Note: The control knob cannot be turned from **PILOT** to **OFF** unless the knob is pushed in slightly. Do not force.

Wait five (5) minutes to clear out any gas. If you then smell gas, STOP! Follow "B" in the safety information above. If you do not smell gas, go to the next step.

3. Locate the pilot assembly on the side or the rear of the burner pan (see Fig. 19-1).
4. Turn the control knob counterclockwise to **PILOT**. Push the knob **firmly and fully** in and hold. Push the piezo igniter button several times until the pilot lights. Continue to hold the knob in for about one (1) minute after the pilot is lit. Release the knob and it will pop back out. The pilot will remain lit. See Fig. 19-1. If it goes out, repeat steps 2-4.

Alternatively, a long-stem match/ long-necked butane lighter can be held near the thermocouple to light the pilot.

- If the knob does not pop up when released, stop and immediately call your service technician or gas supplier.
- If the pilot will not stay light after several tries, see shutdown step below and contact a qualified professional service technician.

Shutting Down

Push in the control knob slightly and turn clockwise to **OFF**. Do not force. See Fig. 19-2.

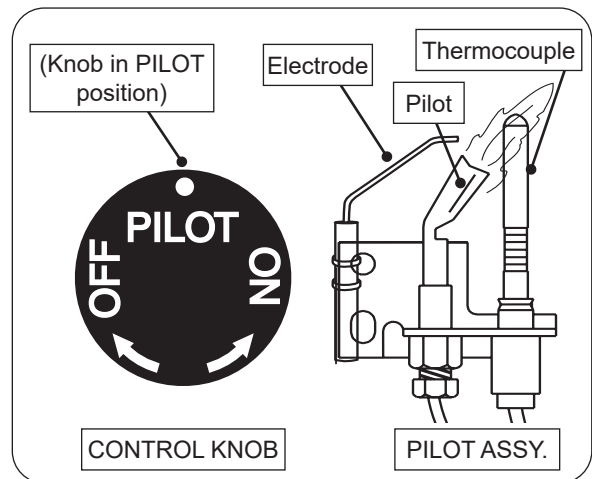


Fig. 19-1 Pilot lighting

- turn knob to OFF, wait 5 minutes
- turn knob to PILOT
- push knob in and hold
- use piezo or match/lighter to light pilot

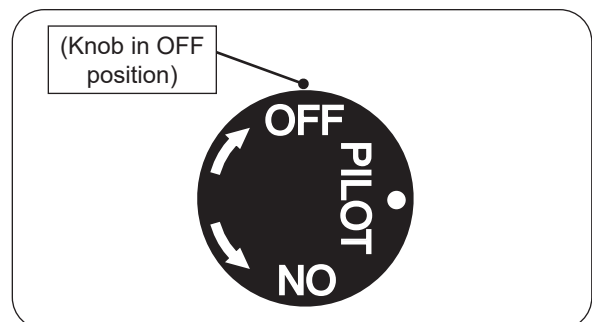


Fig. 19-2 Pilot shut down

- turn knob to OFF to shut down pilot

BURNER OPERATION

Lighting

1. Ensure the pilot is burning. Turn the control knob counterclockwise ↶ to **ON** to ignite the burner (see Fig. 20-1). The valve will open and the burner will light.

Note: This sequence will take approximately 5 seconds.

WARNING: If burner will not light within 5 seconds, turn control knob clockwise ↷ to **PILOT**. Wait five (5) minutes to clear out any gas, then repeat step 1. **IF YOU THEN SMELL GAS, STOP! SEE STEP B AT BEGINNING OF LIGHTING INSTRUCTIONS.**

If the burner will not light after several tries, see total shutdown step below and contact a qualified professional service technician.

Shutting Down

To shut down the main burner (pilot will remain lit), turn the control knob clockwise ↷ to **PILOT** (see Fig. 20-2).

To shut down the burner and pilot (total shutdown), push in the control knob slightly and turn clockwise ↷ to **OFF** (see Fig. 20-2).

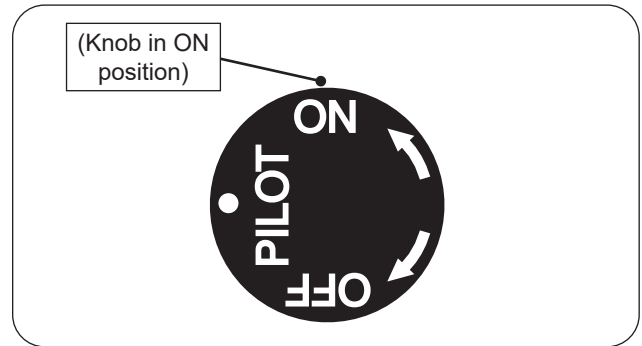


Fig. 20-1 Manual lighting

- ensure pilot lit
- turn knob to ON to light burner

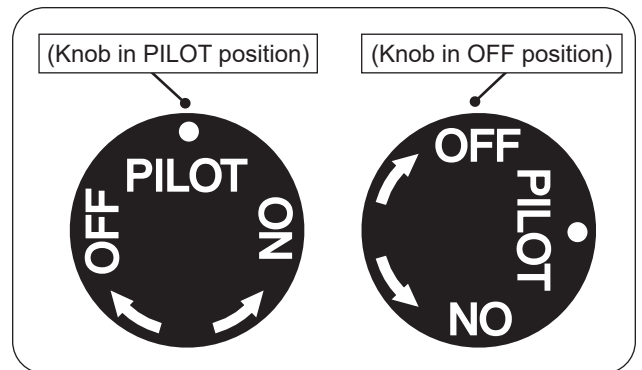


Fig. 20-2 Manual shut down

- turn knob to PILOT to shut down burner (only)
- turn knob to OFF to shut down burner and pilot

LIGHTING INSTRUCTIONS - 02 SERIES

FOR YOUR SAFETY, READ BEFORE LIGHTING

WARNING: If you do not follow these instructions exactly, a fire or explosion may result causing property damage, personal injury or loss of life. The switch box will be hot during and after operation. Be cautious around all hot surfaces.

- A. This appliance is equipped with an ignition device that automatically lights the pilot. DO NOT attempt to light the pilot by hand.
- B. **BEFORE OPERATING**, smell all around the appliance area for gas. Be sure to smell next to the floor because some gas is heavier than air and will settle on the floor.

WHAT TO DO IF YOU SMELL GAS

- Do not try to light any appliance.
 - Do not touch any electric switch; do not use any phone in your building.
 - Immediately call your gas supplier from a neighbor's phone. Follow the gas supplier's instructions. If you cannot reach your gas supplier, call the fire department.
- C. Use only the control system (or remote if equipped) to light the pilot. This valve will not operate if the pilot is not lit and stable.
 - D. Do not use this appliance if any part has been under water. Immediately call a qualified service technician to inspect the appliance and to replace any part of the control system and any gas control which has been under water.

BURNER OPERATION - MANUAL MODE

During manual mode, if a remote system is equipped, the transmitter will not operate the burner system.

Lighting

CAUTION: DO NOT attempt to light the pilot by hand.

1. STOP! Read the safety information above.
2. Locate the ON/OFF switch at the front of the switch box (and the 3-position switch on the remote receiver - if applicable), and press/slide to the **OFF** position(s).

Wait five (5) minutes to clear out any gas. If you then smell gas, STOP! Follow "B" in the safety information above. If you do not smell gas, go to the next step.

3. Press the ON/OFF switch to the **ON (I)** position (see Fig. 21-1).

Note: If a remote system is equipped, ensure that the 3-position switch on the remote receiver remains in the **OFF** position when manual lighting.

The igniter will begin to spark. After the pilot lights and is established, the valve will open and the burner will light.

Note: This sequence will take approximately 5 seconds.

WARNING: If pilot will not light within 5 seconds, or burner does not light within 5 seconds of pilot lighting, press switch to OFF. Wait five (5) minutes to clear out any gas, then repeat step 3. IF YOU THEN SMELL GAS, STOP! SEE STEP B ABOVE.

If the burner will not light after several tries, see shutdown step below and contact a qualified professional service technician.

Shutting Down

Press the ON/OFF switch at the front of the switch box to the **OFF (O)** position.

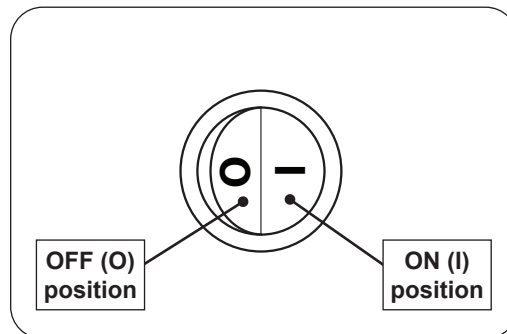


Fig. 21-1 Manual operation

- set switch to ON (I) to light burner
- set switch to OFF (O) to shut down burner

BURNER OPERATION - REMOTE MODE (if equipped)

Note: If the remote does not function, and new batteries are installed, refer to the SYNC THE REMOTE SYSTEM section.

Lighting

CAUTION: DO NOT attempt to light the pilot by hand.

1. STOP! Read the safety information at the beginning of the lighting instructions.
2. Locate the ON/OFF switch at the front of the switch box and the 3-position switch on the remote receiver, and press/slide to the **OFF** positions.

Wait five (5) minutes to clear out any gas. If you then smell gas, STOP! Follow "B" in the safety information at the beginning of the lighting instructions. If you do not smell gas, go to the next step.

3. Slide the 3-position switch on the remote receiver to **REMOTE** (see Fig. 22-1).

Note: Ensure that the ON/OFF switch at the front of the switch box remains in the **OFF (O)** position when remote lighting.

4. Locate the remote transmitter and press the **ON** button (see Fig. 22-1). The ignition sequence will begin.

The remote receiver will emit an audible "beep"; then the igniter will begin to spark. After the pilot lights and is established, the valve will open and the burner will light.

Note: The ignition sequence will take approximately 5 seconds.

WARNING: If pilot will not light within 5 seconds, or burner does not light within 5 seconds of pilot lighting, press **OFF** button on remote transmitter and slide switch to **OFF**. Wait five (5) minutes to clear out any gas, then repeat steps 3 and 4. **IF YOU THEN SMELL GAS, STOP! SEE STEP B AT BEGINNING OF LIGHTING INSTRUCTIONS.**

If the burner will not light after several tries, press the **OFF** button on the remote transmitter, slide the switch on the remote receiver to **OFF**, and contact a qualified professional service technician.

Shutting Down

Press the **OFF** button on the remote transmitter. **If remote is unavailable**, slide the 3-position switch on the remote receiver to **OFF**. See Fig. 22-2.

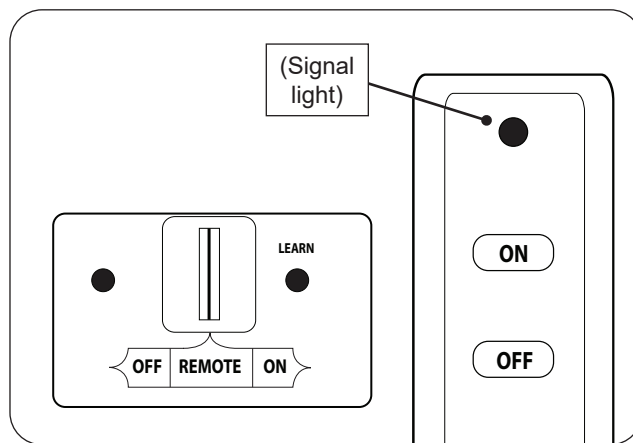


Fig. 22-1 Remote lighting

- set switch to REMOTE
- press ON button to light burner

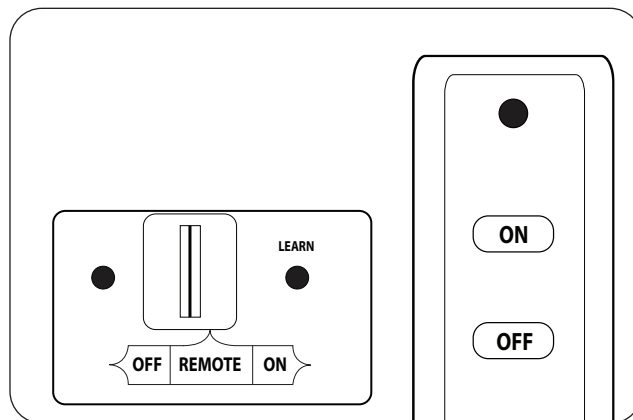


Fig. 22-2 Remote shut down

- press OFF button to shut down burner (set switch to OFF if remote is unavailable)

LIGHTING INSTRUCTIONS - 11 SERIES

FOR YOUR SAFETY, READ BEFORE LIGHTING

WARNING: If you do not follow these instructions exactly, a fire or explosion may result causing property damage, personal injury or loss of life.
Be cautious around all hot surfaces.

- A.** This appliance has a pilot that can be lit using the built-in piezo igniter, or by hand using a long fireplace match or lighter. When lighting the pilot, follow these instructions exactly.
- B. BEFORE LIGHTING**, smell all around the appliance area for gas. Be sure to smell next to the floor because some gas is heavier than air and will settle on the floor.

WHAT TO DO IF YOU SMELL GAS

- Do not try to light any appliance.
 - Do not touch any electric switch; do not use any phone in your building.
 - Immediately call your gas supplier from a neighbor's phone. Follow the gas supplier's instructions. If you cannot reach your gas supplier, call the fire department.
- C.** Use only your hand to push in or turn the gas control knob. Never use tools. If the knob will not push in or turn by hand, don't try to repair it. Call a qualified professional service technician. Force or attempted repair may result in fire or explosion.
- D.** Do not use this appliance if any part has been under water. Immediately call a qualified professional service technician to inspect the appliance and to replace any part of the control system and any gas control which has been under water.

PILOT OPERATION

Lighting

1. STOP! Read the safety information above.
2. Locate the valve on the side of the unit. Push in the gas control knob slightly and turn clockwise to **OFF** (see Fig. 23-2).

Note: The control knob cannot be turned from **PILOT** to **OFF** unless the knob is pushed in slightly. Do not force.

Wait five (5) minutes to clear out any gas. If you then smell gas, STOP! Follow "B" in the safety information above. If you do not smell gas, go to the next step.

3. Locate the pilot assembly on the side or rear of the burner pan (see Fig. 23-1).
4. Turn the control knob counterclockwise to **PILOT**. Push the knob **firmly and fully** in and hold. Push the piezo igniter button several times until the pilot lights. Continue to hold the knob in for about one (1) minute after the pilot is lit. Release the knob and it will pop back out. The pilot will remain lit. See Fig. 23-1. If it goes out, repeat steps 2-4.

Alternatively, a long-stem match/ long-necked butane lighter can be held near the thermopille to light the pilot.

- If knob does not pop up when released, stop and immediately call your service technician or gas supplier.
- If pilot will not stay light after several tries, see shutdown step below and contact a qualified professional service technician.

Shutting Down

Push in the control knob slightly and turn clockwise to **OFF**. Do not force. See Fig. 23-2.

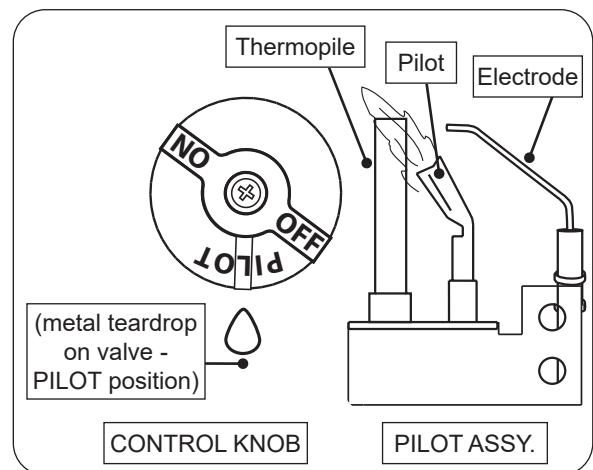


Fig. 23-1 Pilot lighting

- turn knob to OFF, wait 5 minutes
- turn knob to PILOT
- push knob in and hold
- use piezo or match/lighter to light pilot

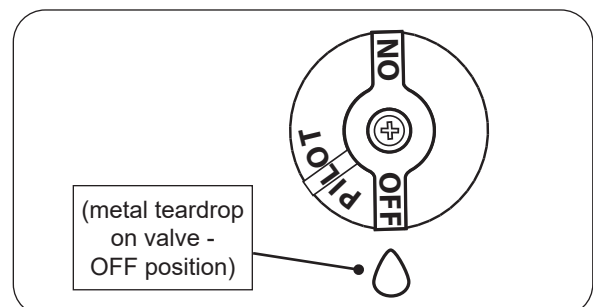


Fig. 23-2 Pilot shut down

- turn knob to OFF to shut down pilot

BURNER OPERATION - MANUAL MODE

During manual mode, if a remote receiver is equipped, the transmitter will not operate the burner system.

Lighting

1. Ensure the pilot is burning. Turn the control knob counterclockwise ↶ to **ON** (see Fig. 24-1).
2. Flip the toggle switch to **ON** to ignite the burner (see Fig. 24-1).

Note: If a remote system is equipped, ensure that the 3-position switch on the remote receiver remains in the **OFF** position when manual lighting.

The valve will open and the burner will light.

Note: This sequence will take approximately 5 seconds.

WARNING: If burner will not light within 5 seconds, flip toggle switch to **OFF** and turn control knob clockwise ↷ to **PILOT**. Wait five (5) minutes to clear out any gas, then repeat steps 1 and 2. **IF YOU THEN SMELL GAS, STOP! SEE STEP B AT BEGINNING OF LIGHTING INSTRUCTIONS.**

If the burner will not light after several tries, see total shutdown steps below and contact a qualified professional service technician.

Shutting Down

To shut down the main burner (pilot will remain lit), flip the toggle switch to **OFF** (see Fig. 24-2).

To shut down the burner and pilot (total shutdown), flip the toggle switch to **OFF**, and push in the control knob slightly and turn clockwise ↷ to **OFF** (see Fig. 24-2).

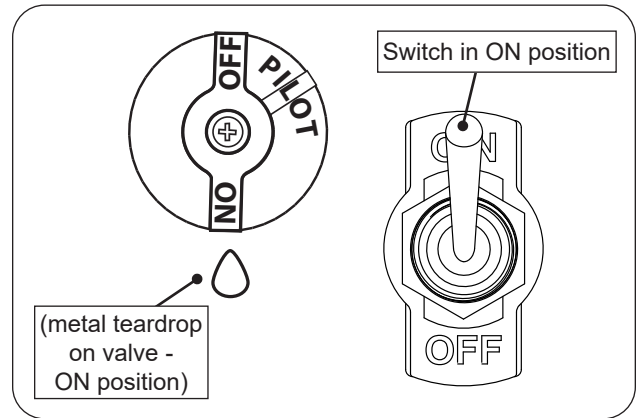


Fig. 24-1 Manual lighting

- ensure pilot lit
- turn knob to ON
- flip switch to ON to light burner

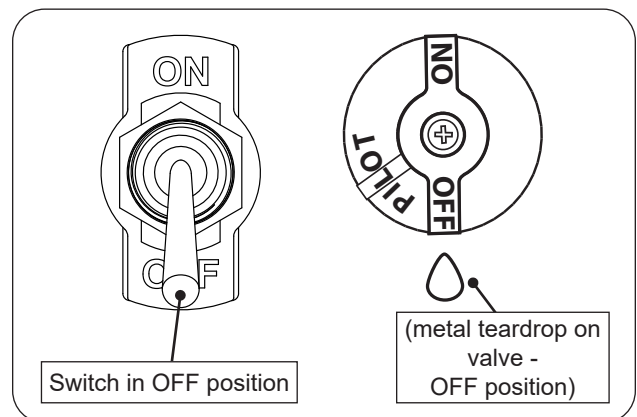


Fig. 24-2 Manual shut down

- flip switch to OFF to shut down burner (only)
- flip switch to OFF and turn knob to OFF to shut down burner and pilot

BURNER OPERATION - REMOTE MODE (if equipped)

Note: If the remote does not function, and new batteries are installed, refer to the SYNC THE REMOTE SYSTEM section.

Lighting

1. Ensure the pilot is burning. Turn the control knob counterclockwise ↶ to **ON** (see Fig. 25-1).

Note: Ensure that the toggle switch remains in the **OFF** position when remote lighting.

2. Locate the 3-position switch on the remote receiver, and slide the switch to **REMOTE** (see Fig. 25-1).
3. Locate the remote transmitter and press the **ON** button (see Fig. 25-1). The ignition sequence will begin.

The remote receiver will emit an audible "beep"; then the valve will open and the burner will light.

Note: This sequence will take approximately 5 seconds.

WARNING: If burner will not light within 5 seconds, press OFF button on remote transmitter, slide switch to OFF, and turn control knob clockwise ↷ to PILOT. Wait five (5) minutes to clear out any gas, then repeat steps 1-3. IF YOU THEN SMELL GAS, STOP! SEE STEP B AT BEGINNING OF LIGHTING INSTRUCTIONS.

If the burner will not light after several tries, see total shutdown steps below and contact a qualified professional service technician.

Shutting Down

To shut down the main burner (pilot will remain lit), press the **OFF** button on the remote transmitter. **If remote is unavailable,** slide the switch on the receiver to **OFF**. See Fig. 25-2.

To shut down the burner and pilot (total shutdown), press the **OFF** button on the remote transmitter, slide the switch on the receiver to **OFF**, and push in the control knob slightly and turn clockwise ↷ to **OFF**. See Fig. 25-2.

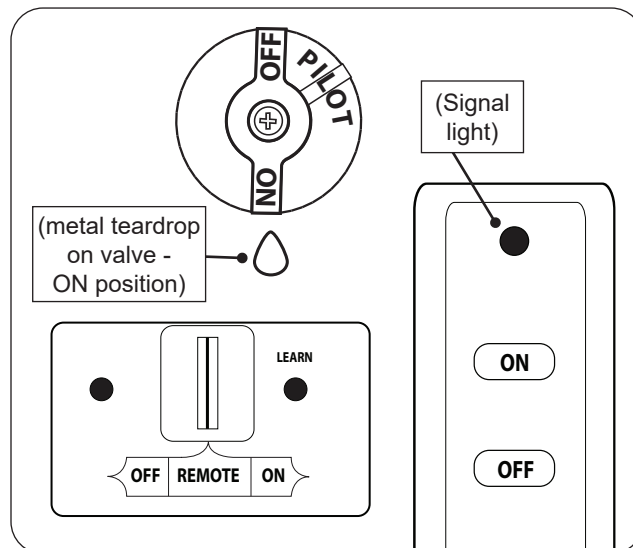


Fig. 25-1 Remote lighting

- ensure pilot lit
- turn knob to ON
- set switch to REMOTE
- press ON button to light burner

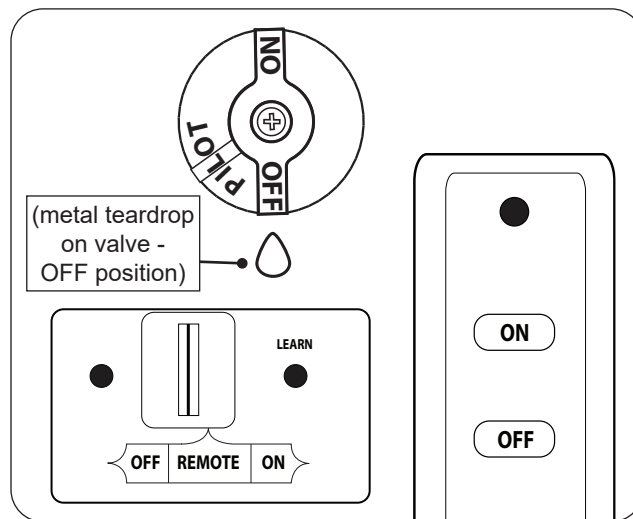


Fig. 25-2 Remote shut down

- press OFF button to shut down burner (only)
- press OFF button, set switch to OFF, and turn knob to OFF to shut down burner and pilot

LIGHTING INSTRUCTIONS - 15 SERIES

FOR YOUR SAFETY, READ BEFORE LIGHTING

WARNING: If you do not follow these instructions exactly, a fire or explosion may result causing property damage, personal injury or loss of life.
Be cautious around all hot surfaces.

- A. This appliance has a pilot that can be lit using the built-in piezo igniter, or by hand using a long fireplace match or lighter. When lighting the pilot, follow these instructions exactly.
- B. **BEFORE LIGHTING**, smell all around the appliance area for gas. Be sure to smell next to the floor because some gas is heavier than air and will settle on the floor.

WHAT TO DO IF YOU SMELL GAS

- Do not try to light any appliance.
 - Do not touch any electric switch; do not use any phone in your building.
 - Immediately call your gas supplier from a neighbor's phone. Follow the gas supplier's instructions. If you cannot reach your gas supplier, call the fire department.
- C. Use only your hand to push in or turn the gas control knob. Never use tools. If the knob will not push in or turn by hand, don't try to repair it. Call a qualified professional service technician. Force or attempted repair may result in fire or explosion.
 - D. Do not use this appliance if any part has been under water. Immediately call a qualified professional service technician to inspect the appliance and to replace any part of the control system and any gas control which has been under water.

PILOT OPERATION

Lighting

1. STOP! Read the safety information above.
2. Locate the valve on the side of the unit. Push in the ignition knob slightly and turn clockwise so the indicator points to **OFF** on the valve (see Fig. 26-2).

Note: The ignition knob cannot be turned from **PILOT** to **OFF** unless the knob is pushed in slightly. Do not force.

Wait five (5) minutes to clear out any gas. If you then smell gas, STOP! Follow "B" in the safety information above. If you do not smell gas, go to the next step.

3. Locate the pilot assembly on the side or rear of the burner pan (see Fig. 26-1).
4. Turn the ignition knob counterclockwise toward **IGN** until it stops. Push the knob **firmly and fully** in and hold for 5 seconds (only pilot gas will flow).
5. While still holding the knob in, turn the knob counterclockwise to **PILOT** until you hear a click (piezo igniter will activate and light pilot). Continue to hold the knob in for about one (1) minute after the pilot is lit. Release the knob and it will pop back out. The pilot will remain lit. See Fig. 26-1. If it goes out, repeat steps 2-5.

Alternatively, a long-stem match/ long-necked butane lighter can be held near the thermocouple to light the pilot.

- If knob does not pop up when released, stop and immediately call your service technician or gas supplier.
- If pilot will not stay light after several tries, see shutdown step below and contact a qualified professional service technician.

Shutting Down

Push in the ignition knob slightly and turn clockwise to **OFF**. Do not force. See Fig. 26-2.

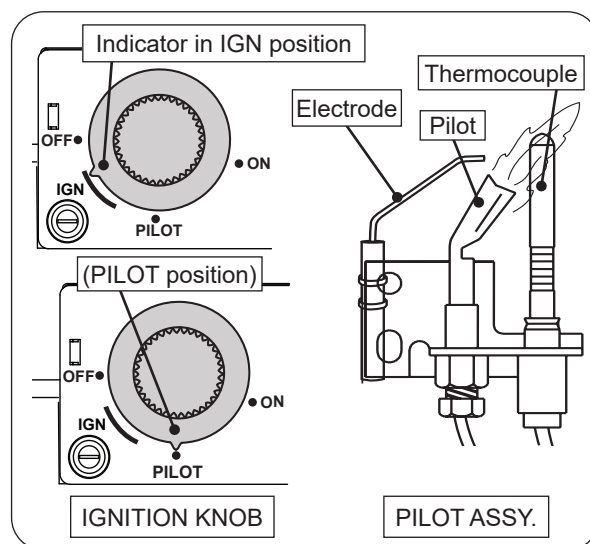


Fig. 26-1 Pilot lighting

- turn knob to OFF, wait 5 minutes
- turn knob to IGN, push in and hold 5 sec.
- turn knob to PILOT and keep held in 60 sec.

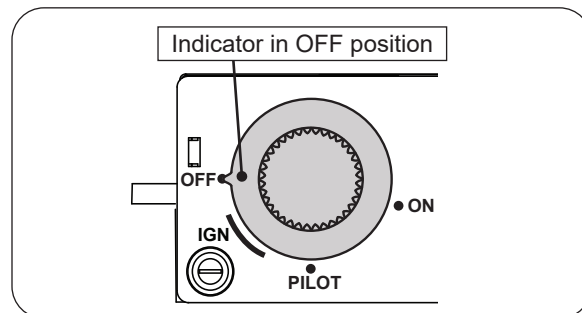


Fig. 26-2 Pilot shut down

- turn knob to OFF to shut down pilot

BURNER OPERATION - MANUAL MODE

During manual mode, if a remote receiver is equipped, the transmitter will not operate the burner system.

Lighting

1. Ensure the pilot is burning. Turn the ignition knob counterclockwise ↶ to **ON** (see Fig. 27-1).
2. Turn the control knob counterclockwise ↶ to the fully ON position to ignite the burner (see Fig. 27-1).

Note: If a remote system is equipped, ensure that the 3-position switch on the remote receiver remains in the **OFF** position when manual lighting.

The valve will open and the burner will light.

Note: This sequence will take approximately 5 seconds.

WARNING: If burner will not light within 5 seconds, turn control knob clockwise ↷ to fully OFF position and ignition knob clockwise ↷ to **PILOT**. Wait five (5) minutes to clear out any gas, then repeat steps 1 and 2. **IF YOU THEN SMELL GAS, STOP! SEE STEP B AT BEGINNING OF LIGHTING INSTRUCTIONS.**

If the burner will not light after several tries, see total shutdown steps below and contact a qualified professional service technician.

Adjusting Flame Height

The flame height may be adjusted via the control knob. Turn the knob counterclockwise ↶ toward **ON** to increase the flame height. Turn clockwise ↷ toward **OFF** to decrease the flame height.

Note: Turning the control knob the fully OFF position will turn off the burner. The pilot will remain lit.

Shutting Down

To shut down the main burner (pilot will remain lit), turn the control knob clockwise ↷ to the fully OFF position (see Fig. 27-2).

To shut down the burner and pilot (total shutdown), turn the control knob clockwise ↷ to the fully OFF position, and push in the ignition knob slightly and turn clockwise ↷ to **OFF** (see Fig. 27-2).

Important: When turning back on, wait at least 1 minute to allow the valve to reset (for relighting).

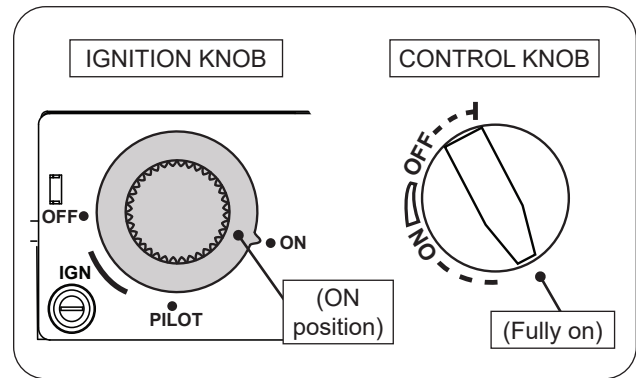


Fig. 27-1 Manual lighting

- ensure pilot lit
- turn ignition knob to fully ON
- turn control knob to fully ON to light burner

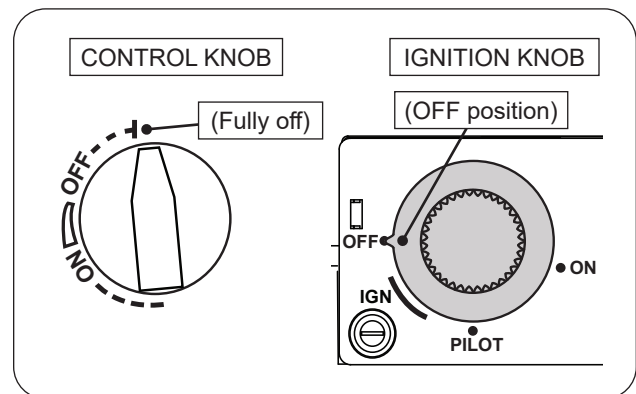


Fig. 27-2 Manual shut down

- turn control knob to fully OFF to shut down burner (only)
- turn control knob to fully OFF and turn ignition knob to **OFF** to shut down burner and pilot

BURNER OPERATION - REMOTE MODE (if equipped)

Note: If the remote does not function, and new batteries are installed, refer to the SYNC THE REMOTE SYSTEM section.

Lighting

1. Ensure the pilot is burning. Turn the ignition knob counterclockwise ↶ to **ON** (see Fig. 28-1).
2. Locate the 3-position switch on the remote receiver, and slide the switch to **REMOTE** (see Fig. 28-1).
3. Locate the remote transmitter and press and hold the **ON/HI** button (see Fig. 28-1). The ignition sequence will begin.

The remote receiver will emit an audible "beep"; then the valve will open and the burner will light.

Note: This sequence will take approximately 5 seconds.

Note: Upon initial use or after an extended period of no use, the **ON/HI** button may have to be pressed for up to 3 seconds prior to functioning.

WARNING: If burner will not light within 5 seconds, press and hold LO/OFF button on remote transmitter, slide switch to OFF, and turn ignition knob clockwise ↷ to PILOT. Wait five (5) minutes to clear out any gas, then repeat steps 1-3. IF YOU THEN SMELL GAS, STOP! SEE STEP B AT BEGINNING OF LIGHTING INSTRUCTIONS.

If the burner will not light after several tries, see total shutdown steps below and contact a qualified professional service technician.

Adjusting Flame Height

The flame height may be adjusted via the remote transmitter. Press and hold the **ON/HI** button to increase the flame height. Press and hold the **LO/OFF** button to decrease the flame height. A click will be heard when the max/minimum setting is reached.

Note: Continuing to hold the **LO/OFF** button will turn off the burner. The pilot will remain lit.

Shutting Down

To shut down the main burner (pilot will remain lit), press and hold the **LO/OFF** button on the remote transmitter until the burner shuts off. **If remote is unavailable,** slide the switch on the receiver to **OFF**. See Fig. 28-2.

To shut down the burner and pilot (total shutdown), press and hold the **LO/OFF** button on the remote transmitter until the burner shuts off, slide the switch on the receiver to **OFF**, and push in the ignition knob slightly and turn clockwise ↷ to **OFF**. See Fig. 28-2.

Important: When turning back on, wait at least 1 minute to allow the valve to reset (for relighting).

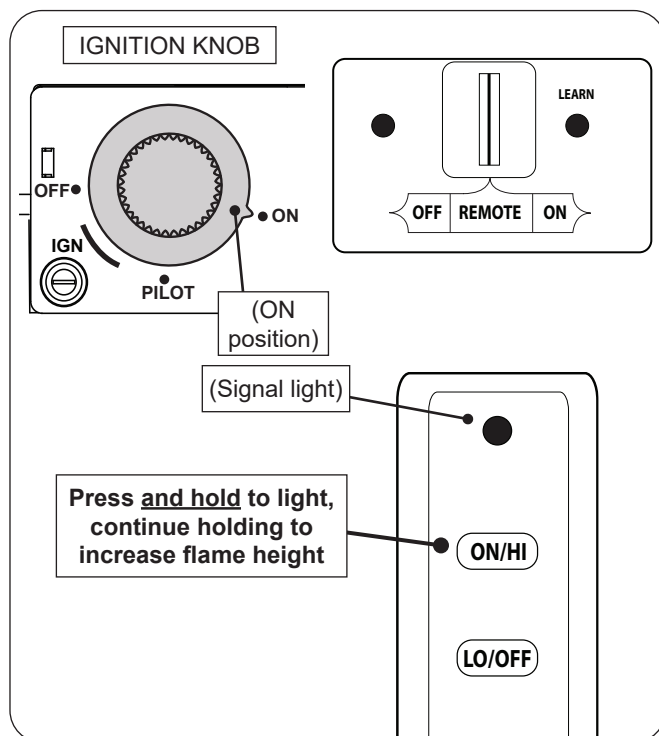


Fig. 28-1 Remote lighting

- ensure pilot lit
- turn ignition knob to ON
- set switch to REMOTE
- press and hold ON/HI button to light burner

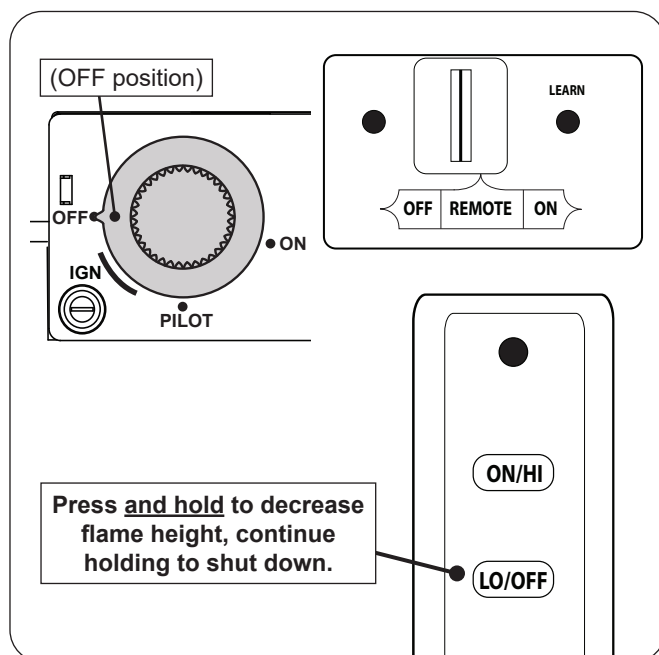


Fig. 28-2 Remote shut down

- press and hold LO/OFF button to shut down burner
- press and hold LO/OFF button, set switch to OFF, and turn ignition knob to OFF to shut down burner and pilot

LIGHTING INSTRUCTIONS - 17 SERIES

FOR YOUR SAFETY, READ BEFORE LIGHTING

WARNING: If you do not follow these instructions exactly, a fire or explosion may result causing property damage, personal injury or loss of life.
Be cautious around all hot surfaces.

- A.** This appliance has a pilot that can be lit using the built-in piezo igniter, or by hand using a long fireplace match or lighter. When lighting the pilot, follow these instructions exactly.
- B. BEFORE LIGHTING**, smell all around the appliance area for gas. Be sure to smell next to the floor because some gas is heavier than air and will settle on the floor.

WHAT TO DO IF YOU SMELL GAS

- Do not try to light any appliance.
 - Do not touch any electric switch; do not use any phone in your building.
 - Immediately call your gas supplier from a neighbor's phone. Follow the gas supplier's instructions. If you cannot reach your gas supplier, call the fire department.
- C.** Use only your hand to push in or turn the gas control knob. Never use tools. If the knob will not push in or turn by hand, don't try to repair it. Call a qualified professional service technician. Force or attempted repair may result in fire or explosion.
- D.** Do not use this appliance if any part has been under water. Immediately call a qualified professional service technician to inspect the appliance and to replace any part of the control system and any gas control which has been under water.

PILOT OPERATION

Lighting

1. STOP! Read the safety information above.
2. Locate the valve on the side of the unit. Push in the gas control knob slightly and turn clockwise to **OFF** (see Fig. 29-2).

Note: The control knob cannot be turned from **PILOT** to **OFF** unless the knob is pushed in slightly. Do not force.

Wait five (5) minutes to clear out any gas. If you then smell gas, STOP! Follow "B" in the safety information above. If you do not smell gas, go to the next step.

3. Locate the pilot assembly on the side or rear of the burner pan (see Fig. 29-1).
4. Turn the control knob counterclockwise to **PILOT**. Push the knob **firmly and fully** in and hold. Push the piezo igniter button several times until the pilot lights. Continue to hold the knob in for about one (1) minute after the pilot is lit. Release the knob and it will pop back out. The pilot will remain lit. See Fig. 29-1. If it goes out, repeat steps 2-4.

Alternatively, a long-stem match/ long-necked butane lighter can be held near the thermocouple to light the pilot.

- If the knob does not pop up when released, stop and immediately call your service technician or gas supplier.
- If the pilot will not stay light after several tries, see shutdown step below and contact a qualified professional service technician.

Shutting Down

Push in the control knob slightly and turn clockwise to **OFF**. Do not force. See Fig. 29-2.

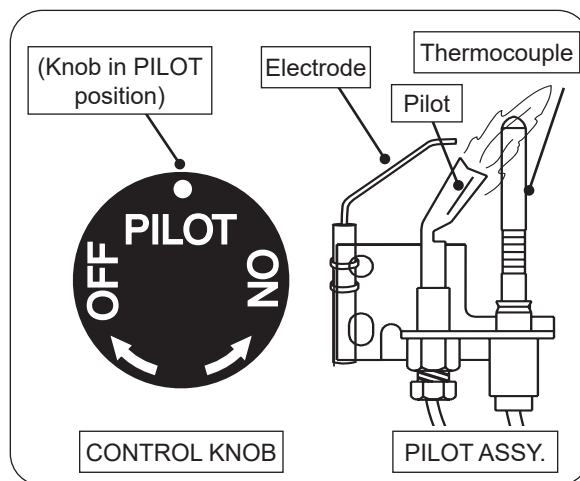


Fig. 29-1 Pilot lighting

- turn knob to OFF, wait 5 minutes
- turn knob to PILOT
- push knob in and hold
- use piezo or match/lighter to light pilot

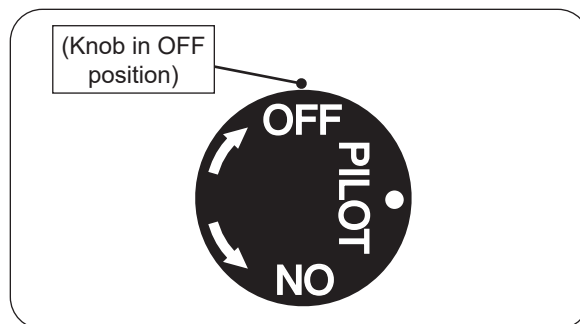


Fig. 29-2 Pilot shut down

- turn knob to OFF to shut down pilot

BURNER OPERATION - MANUAL MODE

During manual mode, if a remote receiver is equipped, the transmitter will not operate the burner system.

Lighting

1. Ensure the pilot is burning. Turn the control knob counterclockwise ↺ to **ON** to ignite the burner (see Fig. 30-1).

Note: If a remote system is equipped, ensure that the 3-position switch on the remote receiver remains in the **OFF** position when manual lighting.

The valve will open and the burner will light.

Note: This sequence will take approximately 5 seconds.

WARNING: If burner will not light within 5 seconds, turn control knob clockwise ↻ to **PILOT**. Wait five (5) minutes to clear out any gas, then repeat step 1. **IF YOU THEN SMELL GAS, STOP! SEE STEP B AT BEGINNING OF LIGHTING INSTRUCTIONS.**

If the burner will not light after several tries, see total shutdown step below and contact a qualified professional service technician.

Shutting Down

To shut down the main burner (pilot will remain lit), turn the control knob clockwise ↻ to **PILOT** (see Fig. 30-2).

To shut down the burner and pilot (total shutdown), push in the control knob slightly and turn clockwise ↻ to **OFF** (see Fig. 30-2).

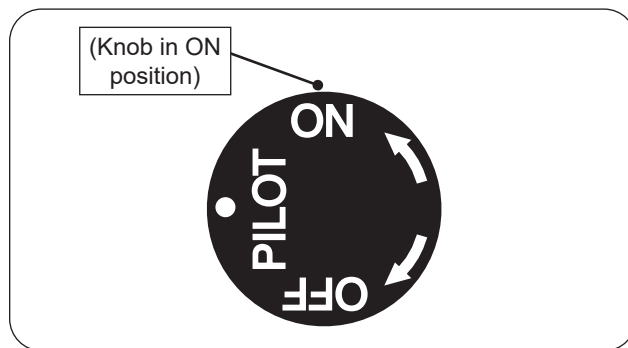


Fig. 30-1 Manual lighting

- ensure pilot lit
- turn knob to ON to light burner

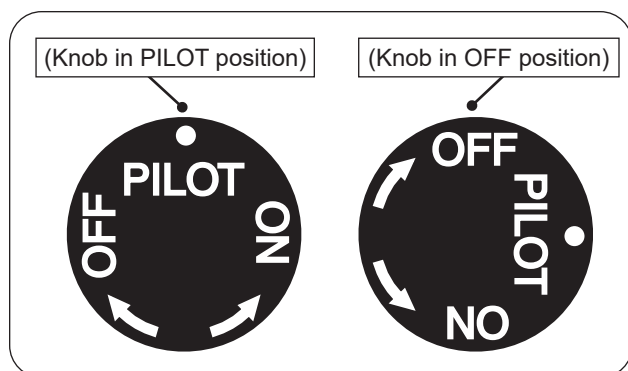


Fig. 30-2 Manual shut down

- turn knob to PILOT to shut down burner (only)
- turn knob to OFF to shut down burner and pilot

BURNER OPERATION - REMOTE MODE (if equipped)

Note: If the remote does not function, and new batteries are installed, refer to the SYNC THE REMOTE SYSTEM section.

Lighting

1. Ensure the pilot is burning. Locate the 3-position switch on the remote receiver, and slide the switch to **REMOTE** (see Fig. 31-1).
2. Locate the remote transmitter and press and hold the **ON/HI** button (see Fig. 31-1). The ignition sequence will begin.

The remote receiver will emit an audible "beep"; then the valve will open and the burner will light.

Note: This sequence will take approximately 5 seconds.

Note: Upon initial use or after an extended period of no use, the **ON/HI** button may have to be pressed for up to 3 seconds prior to functioning.

WARNING: If burner will not light within 5 seconds, press and hold **LO/OFF** button on remote transmitter and slide switch to **OFF**. Wait five (5) minutes to clear out any gas, then repeat steps 1 and 2. **IF YOU THEN SMELL GAS, STOP! SEE STEP B AT BEGINNING OF LIGHTING INSTRUCTIONS.**

If the burner will not light after several tries, see total shutdown steps below and contact a qualified professional service technician.


Adjusting Flame Height

The flame height may be adjusted via the remote transmitter. Press and hold the **ON/HI** button to increase the flame height. Press and hold the **LO/OFF** button to decrease the flame height. A click will be heard when the max/minimum setting is reached.

Note: Continuing to hold the **LO/OFF** button will turn off the burner. The pilot will remain lit.

Shutting Down

To shut down the main burner (pilot will remain lit), press and hold the **LO/OFF** button on the remote transmitter until the burner shuts off. **If remote is unavailable,** slide the switch on the receiver to **OFF**. See Fig. 31-2.

To shut down the burner and pilot (total shutdown), press and hold the **LO/OFF** button on the remote transmitter until the burner shuts off, slide the switch on the receiver to **OFF**, and push in the control knob slightly and turn clockwise  to **OFF**. See Fig. 31-2.

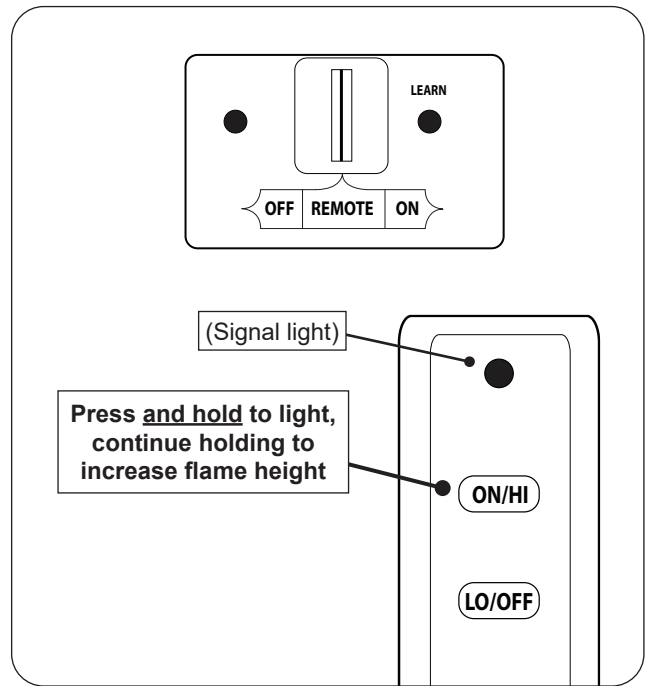


Fig. 31-1 Remote lighting

- ensure pilot lit
- set switch to REMOTE
- press and hold ON/HI button to light burner

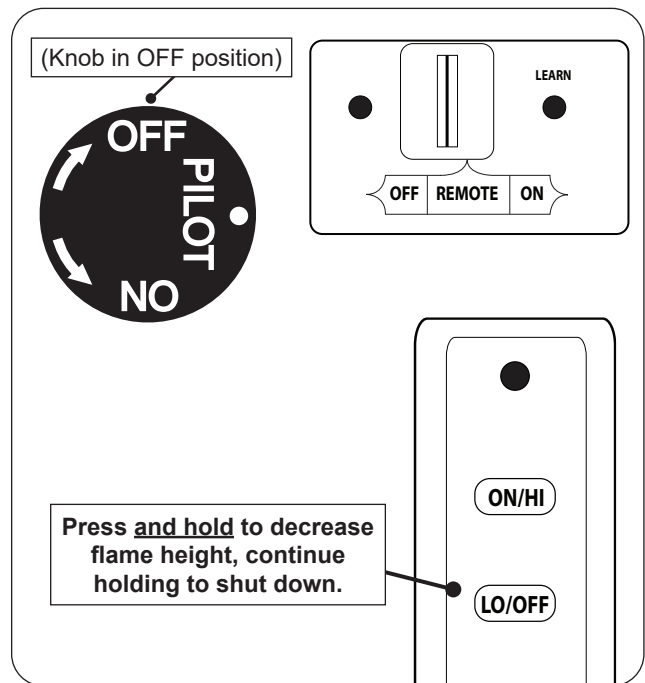
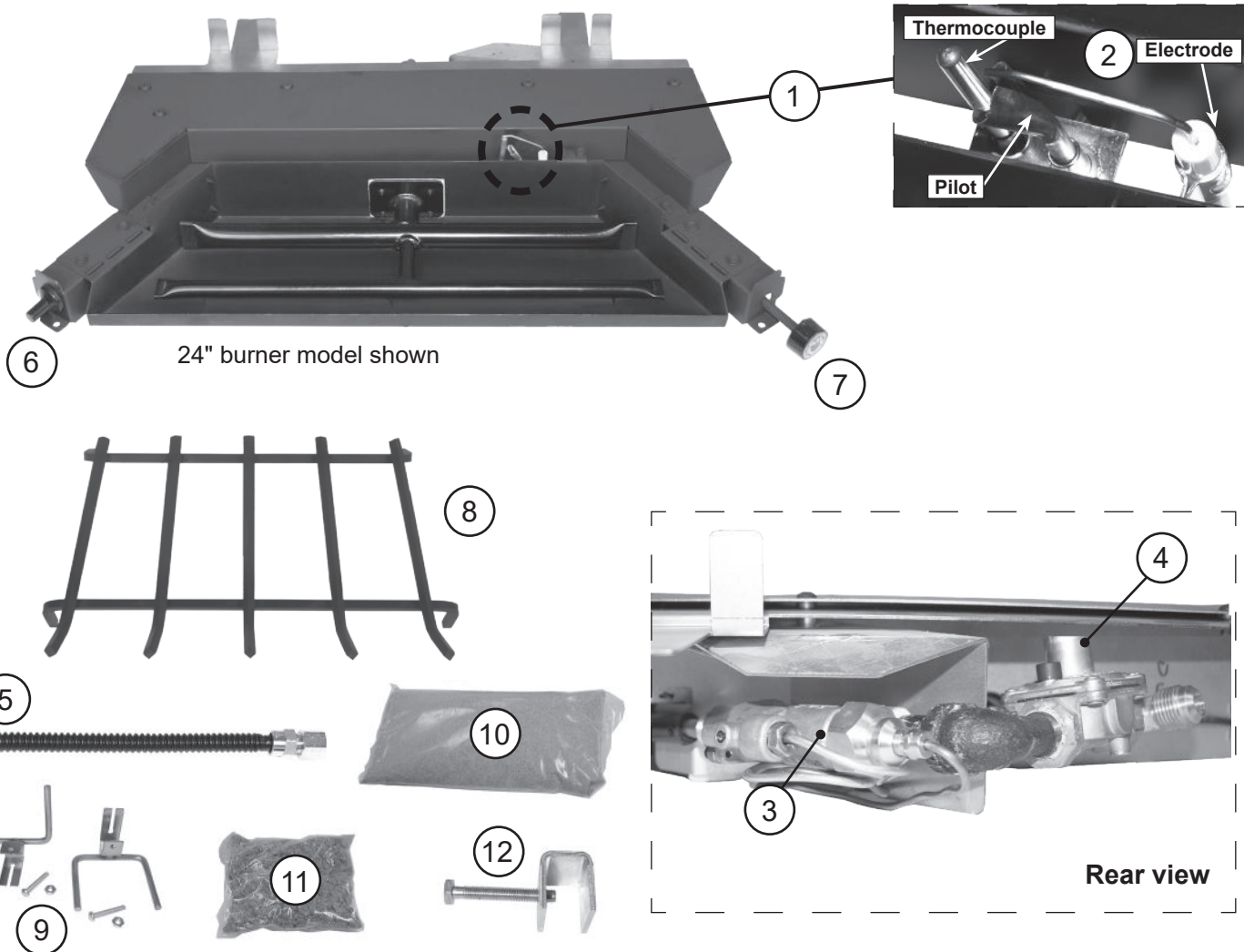


Fig. 31-2 Remote shut down

- press and hold LO/OFF button to shut down burner
- press and hold LO/OFF button, set switch to OFF, and turn knob to OFF to shut down burner and pilot

Please use this page to record any information that you may want to have at hand.

REPLACEMENT PARTS LIST - MANUAL SERIES



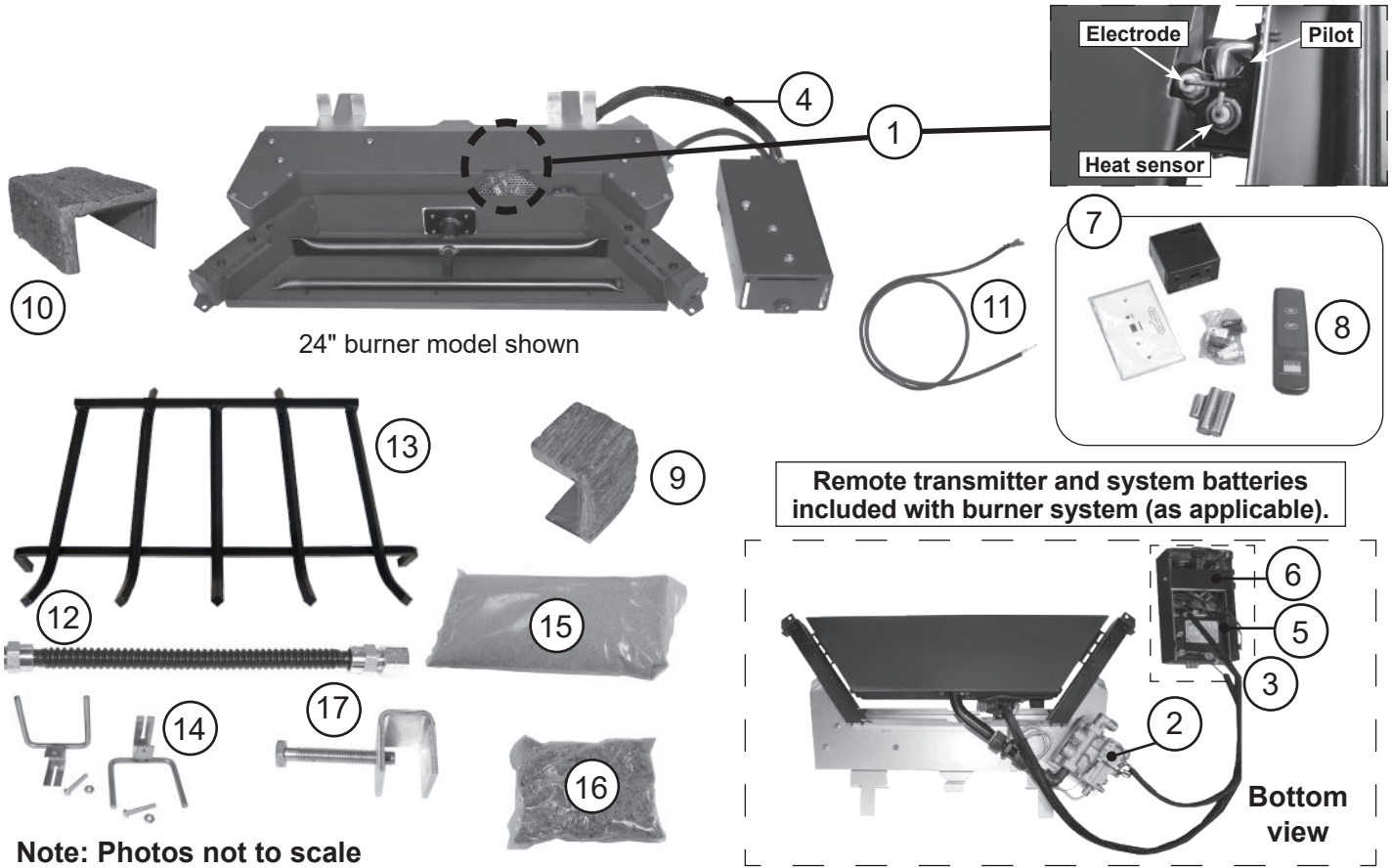
Note: Photos not to scale

Replacement parts can be ordered from your local Real Fyre dealer.

The log set is purchased and packaged separately; contact your local Real Fyre dealer when ordering. Refer to the instructions included with the log set.

Item	Description	18/20" model		24" model		30" model	
		Part No.	Qty.	Part No.	Qty.	Part No.	Qty.
1.	Pilot assembly (natural)	PT-1NAT	1	PT-1NAT	1	PT-1NAT	1
or	Pilot assembly (propane)	PT-1LP	1	PT-1LP	1	PT-1LP	1
2.	Electrode (only)	CE-15	1	CE-15	1	CE-15	1
3.	Control valve (natural or propane models)	SV-19	1	SV-19	1	SV-19	1
4.	Pressure regulator (natural)	PR-1NAT	1	PR-1NAT	1	PR-1NAT	1
or	Pressure regulator (propane)	PR-1LP	1	PR-1LP	1	PR-1LP	1
5.	Flex connector (w/ adapter), 1/2" O.D. x 24"	CK-5-24	1	CK-5-24	1	CK-5-24	1
6.	Piezo igniter	PZ-1	1	PZ-1	1	PZ-1	1
7.	Control knob w/extension	EH-13	1	EH-13	1	EH-13	1
8.	Grate	S4-18	1	S4-24	1	S4-30	1
9.	Log locator (w/ screw and nut)	UP-17	2	UP-17	2	UP-17	2
10.	Sand (natural gas)	CS-6	1	CS-8	1	CS-10	1
or	Vermiculite (propane gas)	LF-15-3.5	1	LF-15-7	1	LF-15	1
11.	Glowing embers	EM-1	1	EM-1	1	EM-1	1
12.	Damper clamp	DC-1	1	DC-1	1	DC-1	1

REPLACEMENT PARTS LIST - 02 SERIES



24" burner model shown

Remote transmitter and system batteries included with burner system (as applicable).

Bottom view

Note: Photos not to scale

Replacement parts can be ordered from your local Real Fyre dealer.

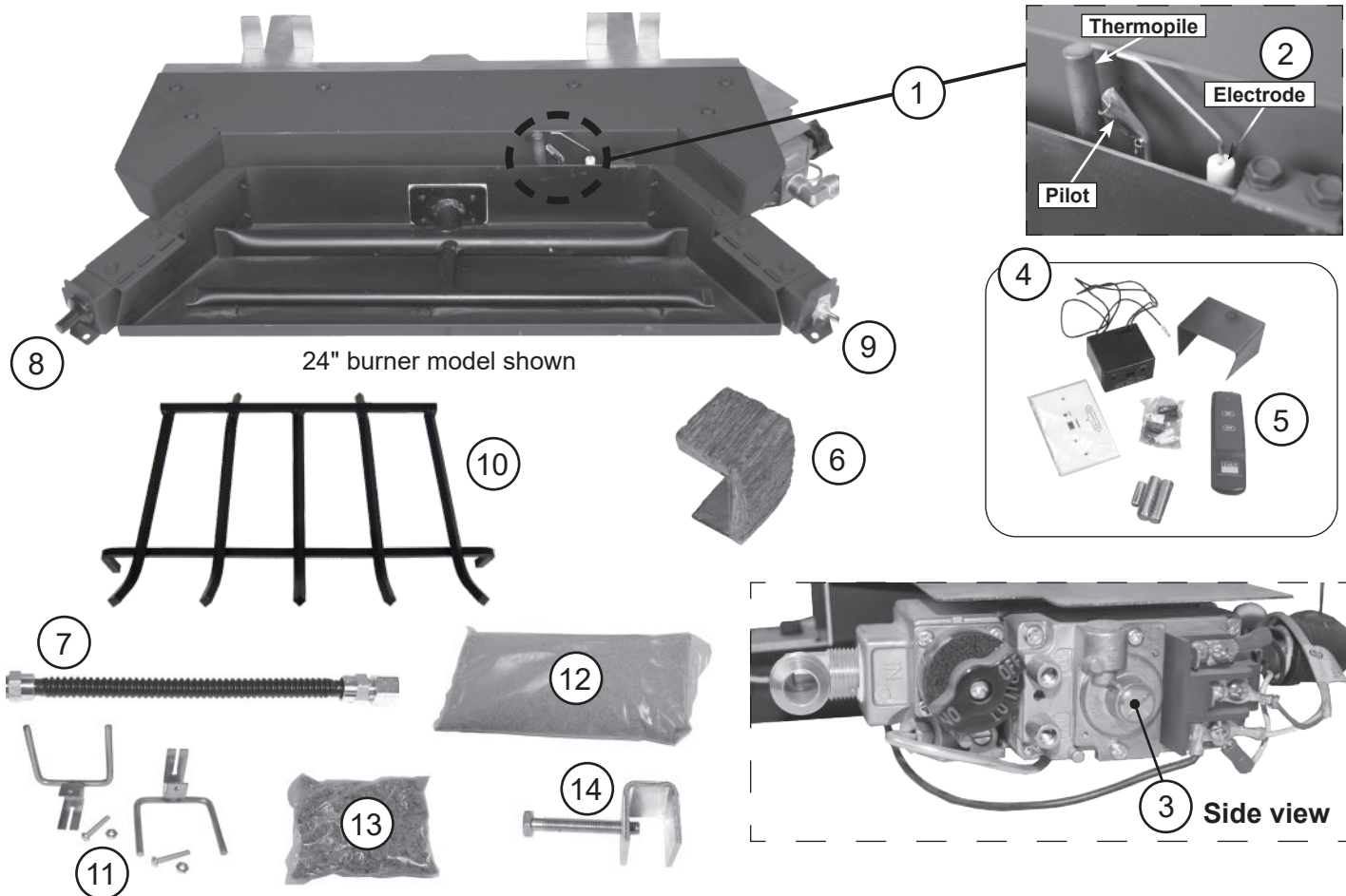
The log set is purchased and packaged separately; contact your Real Fyre dealer when ordering. Refer to instructions included with log set.

Item	Description	18/20" model		24" model		30" model	
		Part No.	Qty.	Part No.	Qty.	Part No.	Qty.
1. or	Pilot assembly (natural) Pilot assembly (propane)	PAC-11 PAC-11P	1 1	PAC-11 PAC-11P	1 1	PAC-11 PAC-11P	1 1
2. or	Control valve (natural) Control valve (propane)	SV-45 SV-45P	1 1	SV-45 SV-45P	1 1	SV-45 SV-45P	1 1
3.	Switch box assembly (includes battery box, module, ON/OFF switch, thermo switch, metal heat shield)	EPK-64A	1	EPK-64A	1	EPK-64A	1
4.	Main harness assembly	WH-12	1	WH-12	1	WH-12	1
5.	Control module	IMP-1	1	IMP-1	1	IMP-1	1
6.	Battery pack	IMP-2	1	IMP-2	1	IMP-2	1
7.	Remote kit * † (includes receiver, transmitter, batteries, plastic cover)	RR-1A	1	RR-1A	1	RR-1A	1
8.	Remote transmitter (only) *	AT-R1-1	1	AT-R1-1	1	AT-R1-1	1
9.	Decorative heat shield (remote) * †	HS-36	1	HS-36	1	HS-36	1
10.	Decorative heat shield (valve)	HS-38A	1	HS-38A	1	HS-38A	1
11.	Remote receiver wire harness * †	WH-10	1	WH-10	1	WH-10	1
12.	Flex connector (w/ adapter), 1/2" O.D. x 24"	CK-5-SP	1	CK-5-SP	1	CK-5-SP	1
13.	Grate	S4-18	1	S4-24	1	S4-30	1
14.	Log locator (w/ screw and nut)	UP-17	2	UP-17	2	UP-17	2
15. or	Sand (natural gas) Vermiculite (propane gas)	CS-6 LF-15-3.5	1 1	CS-8 LF-15-7	1 1	CS-10 LF-15	1 1
16.	Glowing embers	EM-1	1	EM-1	1	EM-1	1
17.	Damper clamp	DC-1	1	DC-1	1	DC-1	1

* if equipped

† to add a remote system to an 02M model, use RR-1A, HS-36, and WH-10

REPLACEMENT PARTS LIST - 11 SERIES



Note: Photos not to scale

Replacement parts can be ordered from your local Real Fyre dealer.

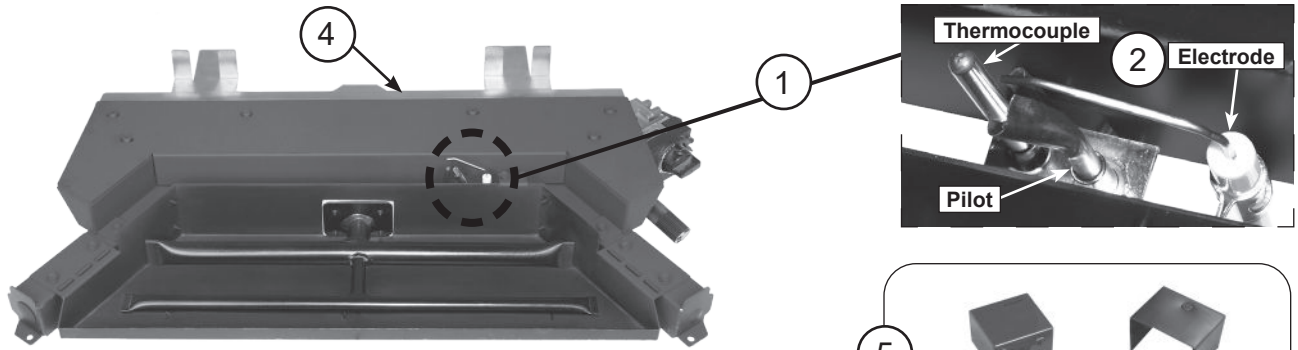
The log set is purchased and packaged separately; contact your local Real Fyre dealer when ordering. Refer to the instructions included with the log set.

Item	Description	18/20" model		24" model		30" model	
		Part No.	Qty.	Part No.	Qty.	Part No.	Qty.
1.	Pilot assembly (natural) or Pilot assembly (propane)	PG-1-12NAT PG-1-12LP	1 1	PG-1-12NAT PG-1-12LP	1 1	PG-1-12NAT PG-1-12LP	1 1
2.	Electrode (only)	CE-15	1	CE-15	1	CE-15	1
3.	Control valve (natural) or Control valve (propane)	SV-6 SV-6P	1 1	SV-6 SV-6P	1 1	SV-6 SV-6P	1 1
4.	Remote kit * † (includes receiver, transmitter, batteries, plastic cover)	RR-1A	1	RR-1A	1	RR-1A	1
5.	Remote transmitter (only) *	AT-R1-1	1	AT-R1-1	1	AT-R1-1	1
6.	Decorative heat shield * †	HS-36	1	HS-36	1	HS-36	1
7.	Flex connector (w/ adapter), 1/2" O.D. x 24"	CK-5-SP	1	CK-5-SP	1	CK-5-SP	1
8.	Piezo igniter	PZ-1	1	PZ-1	1	PZ-1	1
9.	Toggle switch	SW-2	1	SW-2	1	SW-2	1
10.	Grate	S4-18	1	S4-24	1	S4-30	1
11.	Log locator (w/ screw and nut)	UP-17	2	UP-17	2	UP-17	2
12.	Sand (natural gas) or Vermiculite (propane gas)	CS-6 LF-15-3.5	1 1	CS-8 LF-15-7	1 1	CS-10 LF-15	1 1
13.	Glowing embers	EM-1	1	EM-1	1	EM-1	1
14.	Damper clamp	DC-1	1	DC-1	1	DC-1	1

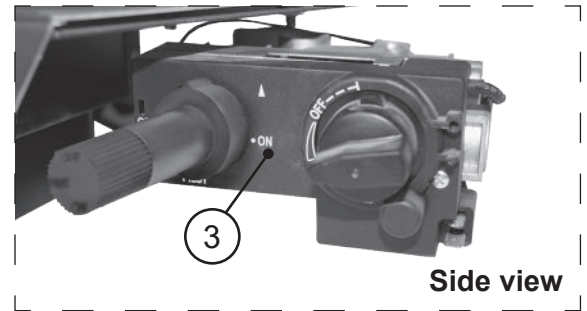
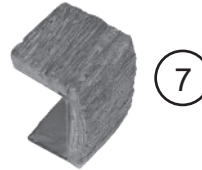
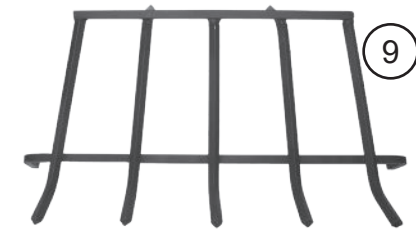
* if equipped

† to add a remote system to an 11M model, use RR-1A and HS-36

REPLACEMENT PARTS LIST - 15 SERIES



24" burner model shown



Side view



Note: Photos not to scale

Replacement parts can be ordered from your local Real Fyre dealer.

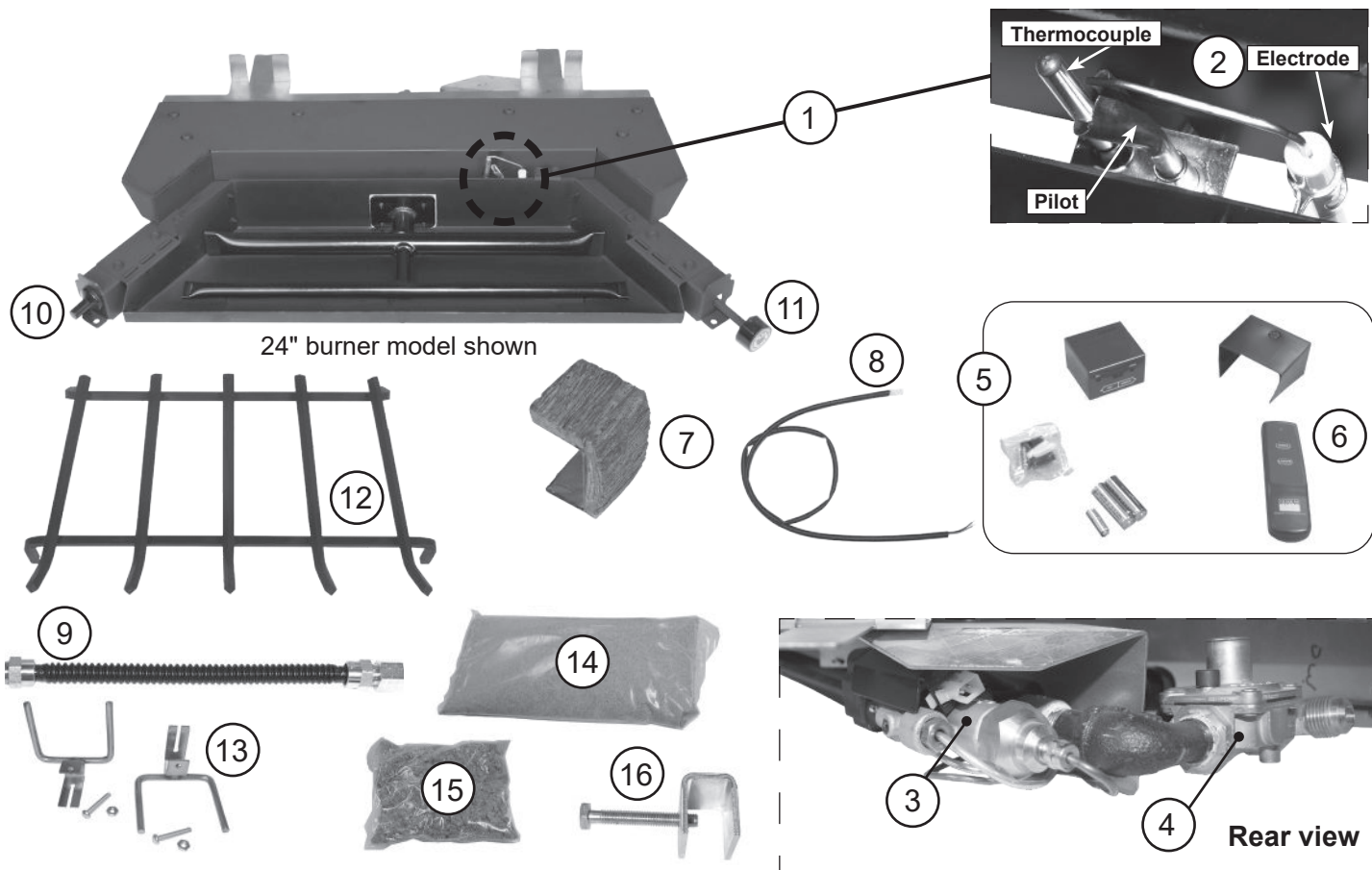
The log set is purchased and packaged separately; contact your local Real Fyre dealer when ordering. Refer to the instructions included with the log set.

Item	Description	18/20" model		24" model		30" model	
		Part No.	Qty.	Part No.	Qty.	Part No.	Qty.
1.	Pilot assembly (natural) or Pilot assembly (propane)	PT-1NAT PT-1LP	1 1	PT-1NAT PT-1LP	1 1	PT-1NAT PT-1LP	1 1
2.	Electrode (only)	CE-15	1	CE-15	1	CE-15	1
3.	Control valve (natural) or Control valve (propane)	SV-56 SV-57	1 1	SV-56 SV-57	1 1	SV-56 SV-57	1 1
4.	Pressure regulator (natural) or Pressure regulator (propane)	PR-3NAT PR-2LP	1 1	PR-3NAT PR-2LP	1 1	PR-3NAT PR-2LP	1 1
5.	Remote kit * † (includes receiver, transmitter, batteries, plastic cover)	VR-1A	1	VR-1A	1	VR-1A	1
6.	Remote transmitter (only) *	AT-V1-1	1	AT-V1-1	1	AT-V1-1	1
7.	Decorative heat shield * †	HS-36	1	HS-36	1	HS-36	1
8.	Flex connector (w/ adapter), 1/2" O.D. x 24"	CK-5-24	1	CK-5-24	1	CK-5-24	1
9.	Grate	S4-18	1	S4-24	1	S4-30	1
10.	Log locator (w/ screw and nut)	UP-17	2	UP-17	2	UP-17	2
11.	Sand (natural gas) or Vermiculite (propane gas)	CS-6 LF-15-3.5	1 1	CS-8 LF-15-7	1 1	CS-10 LF-15	1 1
12.	Glowing embers	EM-1	1	EM-1	1	EM-1	1
13.	Damper clamp	DC-1	1	DC-1	1	DC-1	1

* if equipped

† to add a remote system to a 15M model, use VR-1A and HS-36

REPLACEMENT PARTS LIST - 17 SERIES



Note: Photos not to scale

Replacement parts can be ordered from your local Real Fyre dealer.

The log set is purchased and packaged separately; contact your Real Fyre dealer when ordering. Refer to instructions included with log set.

Item	Description	18/20" model		24" model		30" model	
		Part No.	Qty.	Part No.	Qty.	Part No.	Qty.
1.	Pilot assembly (natural) or Pilot assembly (propane)	PT-1NAT PT-1LP	1 1	PT-1NAT PT-1LP	1 1	PT-1NAT PT-1LP	1 1
2.	Electrode (only)	CE-15	1	CE-15	1	CE-15	1
3.	Control valve (natural or propane models)	SV-37	1	SV-37	1	SV-37	1
4.	Pressure regulator (natural) or Pressure regulator (propane)	PR-1NAT PR-1LP	1 1	PR-1NAT PR-1LP	1 1	PR-1NAT PR-1LP	1 1
5.	Remote kit * † (includes receiver, transmitter, batteries, plastic cover)	VR-1A	1	VR-1A	1	VR-1A	1
6.	Remote transmitter (only) *	AT-V1-1	1	AT-V1-1	1	AT-V1-1	1
7.	Decorative heat shield * †	HS-36	1	HS-36	1	HS-36	1
8.	Remote receiver wire harness * †	WH-01	1	WH-01	1	WH-01	1
9.	Flex connector (w/ adapter), 1/2" O.D. x 24"	CK-5-24	1	CK-5-24	1	CK-5-24	1
10.	Piezo igniter	PZ-1	1	PZ-1	1	PZ-1	1
11.	Control knob w/extension	EH-13	1	EH-13	1	EH-13	1
12.	Grate	S4-18	1	S4-24	1	S4-30	1
13.	Log locator (w/ screw and nut)	UP-17	2	UP-17	2	UP-17	2
14.	Sand (natural gas) or Vermiculite (propane gas)	CS-6 LF-15-3.5	1 1	CS-8 LF-15-7	1 1	CS-10 LF-15	1 1
15.	Glowing embers	EM-1	1	EM-1	1	EM-1	1
16.	Damper clamp	DC-1	1	DC-1	1	DC-1	1

* if equipped

† to add a remote system to a 17M model, use VR-1A, HS-36, and WH-01

ROUTINE MAINTENANCE AND SERVICE

The appliance, the fireplace, and the installation should be examined before use, and must be inspected annually. The appliance requires annual maintenance by a qualified professional service technician. Refer to these instructions for details. Performing these procedures will ensure proper operation, appearance, and safety.

WARNING: Unless turning on the unit is required: Turn off the gas to the unit and allow it to completely cool prior to servicing or cleaning.

- A. Servicing may be necessary to ensure proper pilot operation and proper burn characteristics.
- B. It is imperative that all control components and compartments, burner(s), air shutters, and circulating air passageways of the appliance be kept clean and free of all obstructions (as applicable).
In addition, a periodic examination and cleaning of the venting system of the solid-fuel-burning fireplace should be conducted by a qualified professional service technician.
- C. **Any safety screen or guard removed for servicing must be replaced prior to operating this appliance.**
- D. Verify proper operation after servicing.
- E. If, after a period of use, the flames start to exhibit unusual shapes and behavior, or the burners fail to ignite smoothly, the burner may require cleaning or servicing. If this happens, it is recommended to contact the nearest dealer to get the appliance serviced.
- F. **Do not remove the rating plates or the warning tags. These are an integral safety and identification component of this appliance.**
- G. Discoloration is common on the grate after burning.
- H. **More frequent cleaning and maintenance may be necessary when burning propane gas than with natural gas.**

INSPECT OVERALL INSTALLATION

When the unit is cool, inspect the installation. See the list below, the following service sections, and review the INSTALLATION sections as needed.

- The damper clamp is installed.
- The burner is properly connected to the gas supply, and positioned and secured in the fireplace.
- The burner pan is full of sand/vermiculite, and topped with glowing embers.
- The pilot assembly is clear of all media and foreign objects.
- The switch box and/or remote receiver are properly connected and located, with functioning batteries (if applicable).
- The grate and logs are properly placed, with the log locators attached (to the grate).
- The lava media is only placed around the front and sides of the burner - and not on or in the burner (if applicable).
- The pilot and burner flames are burning properly.

REPLACE THE BATTERIES (if applicable)

Important: Low/dead batteries will affect burner system operation. Replace batteries any time the burner will not turn on.

Important: Be sure to replace the decorative heat shield(s) over the switch box assembly and/or remote receiver after battery replacement, and to properly re-position the items in the fireplace.

Prior to inserting batteries:

- ensure the unit is connected to the gas line, has been tested for leaks, and is off and cool.
- apply a small amount of dielectric grease to both ends of each battery. This will ensure conductivity and prevent moisture from affecting the contact.

Replace the batteries as applicable. Refer to the following sections, and if needed the INSTALL BATTERIES section found in BURNER INSTALLATION.

Remote Transmitter Battery

The remote transmitter requires one 12V battery to operate. Locate the transmitter, remove the lid (found on rear), and properly insert the new battery as marked. Re-secure the lid.

Remote Receiver Batteries

The remote receiver requires 4 AA batteries to operate. Locate the remote receiver and turn it over. Slide open the lid, and properly insert the new batteries as marked. Replace the lid, and the plastic cover over the receiver.

Burner System Batteries (02 models)

The burner system requires 2 D batteries to operate. Locate the switch box and turn it over. Use a Phillips screwdriver to remove the screw found on the side of the box, then remove the bracket. Properly insert the new batteries as marked. Replace the bracket.

SYNC THE REMOTE SYSTEM (if applicable)

Ensure the burner system is off and completely cool.

Locate the 3-position switch on the remote receiver and slide it to the **REMOTE** position. Use the tip of a pen or a wire clip to push the **LEARN** button and release. See Fig. 39-1. A beep will be heard. Then press and hold the **ON** or **ON/HI** button on the remote transmitter; a series of beeps should be heard. The remote system is now synced. Refer to the LIGHTING INSTRUCTIONS to test.

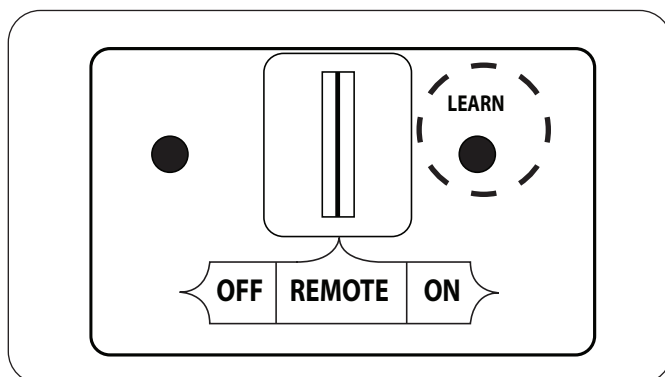


Fig. 39-1 Remote receiver sync detail

INSPECT PILOT FLAME

CAUTION: Be careful around hot surfaces.

Inspect the pilot flame. It should be a quiet, soft blue flame with yellow tipping that encircles the thermocouple/thermopile/heat sensor. See Fig. 39-2.

If pilot flame adjustment is needed, it must be performed by a qualified professional service technician. See INSPECT/ADJUST PILOT under the INSTALLATION section for details.

INSPECT BURNER FLAME APPEARANCE

Observe the flames. The main burner flames should be blue at the base and a combination of blue/yellow at the body and at the tips. They should be approximately 5-8" above the logs, with the center flame being the tallest. The ember flames should be 1/4" above the embers (See 39-3 for example.).

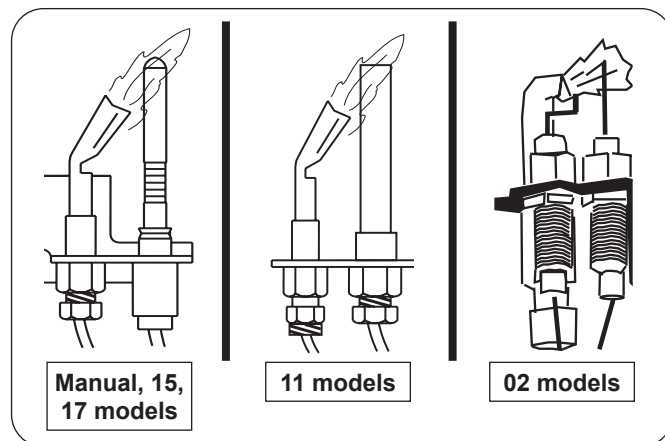


Fig. 39-2 Inspect pilot



Fig. 39-3 Inspect burner flame appearance

WIRING DIAGRAMS

02 SERIES WIRING DIAGRAM

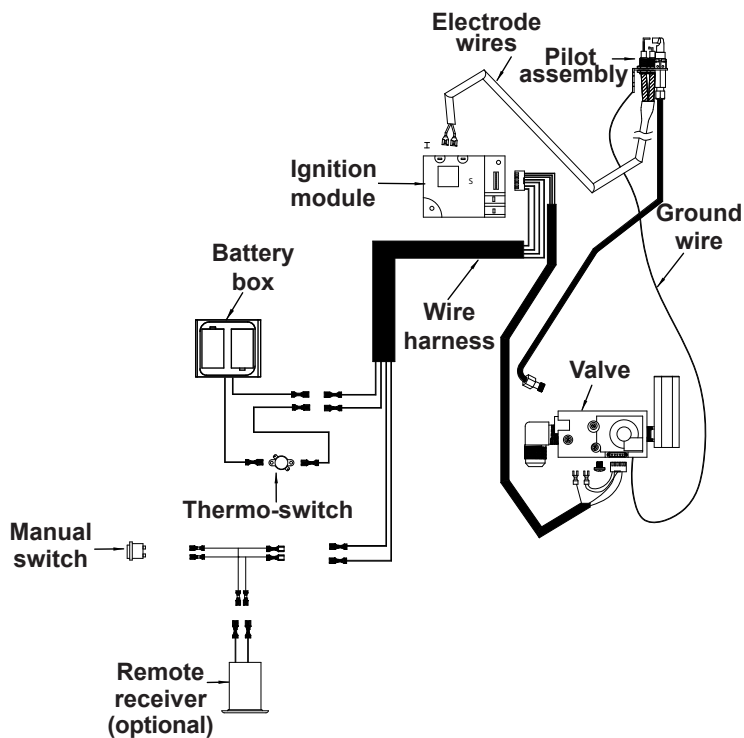


Fig. 40-1

11 SERIES WIRING DIAGRAM

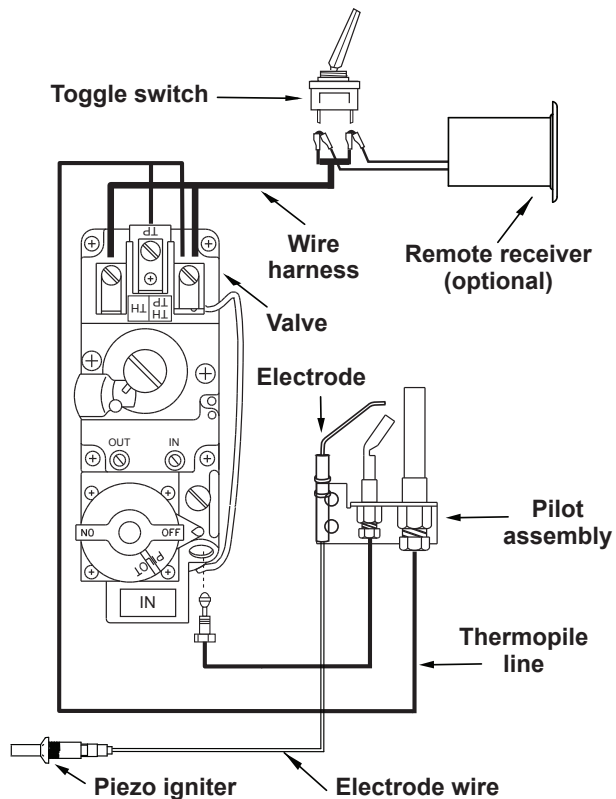


Fig. 40-2

15 SERIES WIRING DIAGRAM

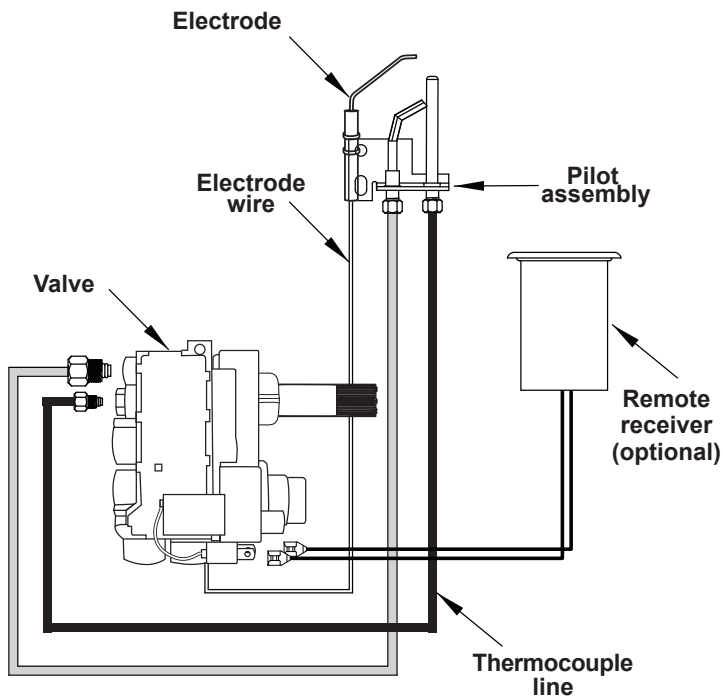


Fig. 40-3

17 SERIES WIRING DIAGRAM

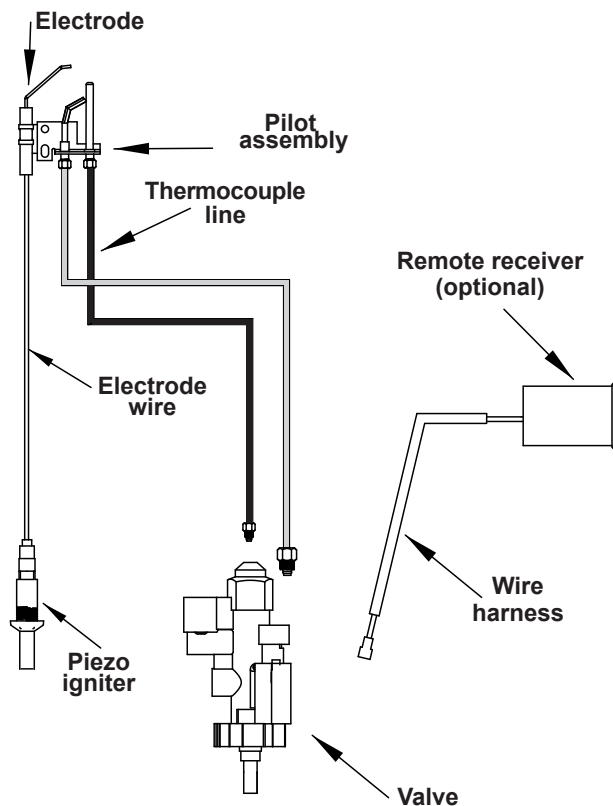


Fig. 40-4

TROUBLESHOOTING

VERIFICATION CHECKLIST

Prior to proceeding with troubleshooting, make sure of the following:

- the minimum fireplace size requirements are met
- the gas pressure is within the minimum/maximum range (with unit on and unit off)
- the burner system is connected to the correct gas type
- the ash lip/recess requirements are met
- the gas supply is turned on and the shut-off valve is open
- the propane tank/cylinder is not empty (if applicable)
- the chimney damper is fully open (when burning the unit)
- the damper clamp is installed to meet the minimum permanent free opening requirement
- there are no obstructions in front of the fireplace
- any glass doors meet all requirements and are fully open
- there are fresh batteries in the switch box and/or remote transmitter (as applicable)

TROUBLESHOOTING CODES

Burner System	Description	Applicability Code
G46-**- (P)	Manual valve	
G46-**-02(P)	Electronic ON/OFF Remote Ready Valve	02
G46-**-11(P)	ON/OFF Remote Ready Valve	11
G46-**-15(P)	Variable Remote Ready Valve	15
G46-**-17(P)	Manual Variable Remote Ready Valve	17

Table 41-1: Troubleshooting Codes

After verifying the information above, if an issue still exists, continue to the TROUBLESHOOTING ISSUES section on the next page.

TROUBLESHOOTING (CONT.)

TROUBLESHOOTING ISSUES

Based on the issue described, locate the appropriate category, failure, cause(s), and solution(s).

WARNING: Ensure the unit is off and completely cool prior to any troubleshooting.

BURNER IGNITION ISSUES

Progress through A-D as applicable until problem is resolved.

If pilot lights correctly, skip to D.

A. PILOT WILL NOT SPARK, OR UNIT SPARKING IN WRONG LOCATION

Root Cause		02	11	15	17	Corrective Action
Dead batteries		X	X	X	X	Replace batteries (if applicable).
Pilot hood blocked	X	X	X	X	X	Clean pilot hood of any debris.
Loose or melted wires	X	X	X	X	X	Check all wires/harnesses are securely in place, not melted, and kept away from burner flame. Replace harnesses if needed.
Pilot sparking to screen (not electrode)		X				Adjust screen to 1/4" minimum clearance from pilot (see ELECTRONIC PILOT TROUBLESHOOTING section, DETAIL C)
Faulty electrode	X	X	X	X	X	Check/replace electrode.
Faulty ON/OFF switch		X	X			Check/replace switch.
Faulty control module		X				Check/replace control module.
Faulty remote system		X	X	X	X	Check/replace remote system.

B. PILOT WILL NOT LIGHT (NO FLAME)

Root Cause		02	11	15	17	Corrective Action
No gas to unit	X	X	X	X	X	Ensure gas supply turned on / shut-off valve open / propane tank not empty.
Air in gas line	X	X	X	X	X	Bleed gas supply line; attempt to light.
Valve not in proper position / incorrect lighting	X	X	X	X	X	See LIGHTING INSTRUCTIONS for your model.
Pilot adjustment screw closed or not open enough	X	X	X	X	X	See INSPECT/ADJUST PILOT FLAME section for your model and adjust screw for proper pilot flame.
Obstruction in pilot gas supply line, or line is kinked.	X	X	X	X	X	Clear out obstruction. Replace pilot gas supply line if kinked.

C. PILOT HAS FLAME, BUT WILL NOT STAY LIT

Root Cause		02	11	15	17	Corrective Action
Pilot hood not aimed at thermocouple/thermopile/heat sensor	X	X	X	X	X	Angle pilot hood properly so pilot flame hits thermocouple/thermopile/heat sensor.
Thermocouple/thermopile is loose, cracked, or worn out	X		X	X	X	Tighten thermocouple/thermopile nut at gas control valve. (Do not overtighten.) Check/replace thermocouple/thermopile.
Valve won't hold	X	X	X	X	X	Check/replace valve.
Excessive down draft (chimney too close to other peaks, designed poorly, or min. flue height not met)	X	X	X	X	X	Install chimney cap. Verify all chimney and flue specifications are met. Burner use is not permitted in a fireplace if any requirements are not met.
Faulty Pilot	X	X	X	X	X	If A-C do not resolve the issue(s), replace the faulty pilot assembly.

TROUBLESHOOTING (cont.)

BURNER IGNITION ISSUES (cont.)

D. BURNER WILL NOT LIGHT

Root Cause		02	11	15	17	Corrective Action
Dead batteries		X	X	X	X	Replace batteries (if applicable).
Valve not in proper position / incorrect lighting	X	X	X	X	X	See LIGHTING INSTRUCTIONS for your model.
Incorrect media/log placement blocking gas flow near pilot	X	X	X	X	X	Correct media/log placement (refer to this manual and the manual included with the log set). Ensure no media or foreign objects are on or near the pilot assembly.
Loose or melted wires		X	X	X	X	Check all wires/harnesses are securely in place, not melted, and kept away from burner flame. Replace harnesses if needed.
Faulty control module		X				Check/replace control module.
Faulty valve	X	X	X	X	X	Check/replace valve.

E. BURNER HAS DELAYED IGNITION

Root Cause		02	11	15	17	Corrective Action
Pilot hood not aimed at thermocouple/thermopile/heat sensor	X	X	X	X	X	Angle pilot hood properly so pilot flame hits thermocouple/thermopile/heat sensor.
Incorrect media/log placement, media obstruction on or near pilot assembly	X	X	X	X	X	Correct media/log placement (refer to this manual and the manual included with the log set). Ensure no media or foreign objects are on or near the pilot assembly.
Pilot flame too small due to pilot adjustment screw not open enough	X	X	X	X	X	See INSPECT/ADJUST PILOT FLAME section for your model and adjust screw for proper pilot flame.
Pilot flame too small due to: 1. low gas pressure						1. Check gas pressure (see INSTALLATION IMPORTANT INFORMATION section, & check with local gas company). Other gas appliances may be on the same gas line, dropping gas pressure to log set. Check pressures with everything operating to ensure adequate pressure.
2. obstruction in pilot gas supply line, or line is kinked.	X	X	X	X	X	
3. faulty valve						2. Clear out obstruction in pilot gas supply line. Replace line if kinked. 3. Check/replace valve.

TROUBLESHOOTING (CONT.)

BURNER PERFORMANCE ISSUES

Locate issues specific to problem until resolved.

A. BURNER HAS LOW FLAME

Root Cause		02	11	15	17	Corrective Action
Remote set on low flame				X	X	Adjust flame with remote transmitter (if applicable).
Incorrect media (sand, vermiculite) for gas type	X	X	X	X	X	Contact dealer for proper media and have installed accordingly.
Shut-off valve or burner valve not fully open	X	X	X	X	X	Open valve(s) fully.
Low gas pressure	X	X	X	X	X	Check gas pressure (see INSTALLATION IMPORTANT INFORMATION section, & check with local gas company). Other gas appliances may be on the same gas line, dropping gas pressure to log set. Check pressures with everything operating to ensure adequate pressure.
Blockage/kink in flex connector, plumbing, or burner orifice	X	X	X	X	X	Clean out blockage(s). If flex connector is kinked, replace it.

B. BURNER HAS UNEVEN FLAME

Root Cause		02	11	15	17	Corrective Action
Blockages on burner	X	X	X	X	X	Remove any lava granules or material that may have fallen onto burner port area (other than burner media and embers).
Burner media packed unevenly	X	X	X	X	X	Even out burner media in burner pan and ensure media is properly installed.
Incorrect log placement	X	X	X	X	X	Correct log placement (refer to this manual and the manual included with the log set).
Burner ports clogged	X	X	X	X	X	Clean burner ports.

C. BURNER SHUTS DOWN DURING OPERATION

Root Cause		02	11	15	17	Corrective Action
Low batteries		X	X	X	X	Replace batteries (if applicable).
Incorrect log placement	X	X	X	X	X	Correct log placement (refer to this manual and the manual included with the log set).
Fireplace too small for unit	X	X	X	X	X	Ensure minimum fireplace size requirements are met (see SPECIFICATIONS section). They MUST be met to use burner system.
Control module overheating / thermal safety device activated		X				Turn off unit and allow to cool completely. Ensure any glass doors meet all requirements and are <u>fully</u> open. Ensure damper is <u>fully</u> open. Turn unit back on.
Low or high gas pressure (may also be causing pilot flame to lift off thermocouple/thermopile/heat sensor)	X	X	X	X	X	Check gas pressure (see INSTALLATION IMPORTANT INFORMATION section, & check with local gas company). Other gas appliances may be on the same gas line, dropping gas pressure to log set. Check pressures with everything operating to ensure adequate pressure.
Fireplace, damper, or flue area dirty/obstructed. Damper not properly open, or closed.	X	X	X	X	X	Clean around, above, and under damper thoroughly. Clean fireplace, removing loose material, soot, and creosote. Ensure damper is <u>fully</u> open.
Faulty pilot	X	X	X	X	X	Check/replace pilot.
Faulty valve	X	X	X	X	X	Check/replace valve.
Faulty control module		X				Check/replace control module.

TROUBLESHOOTING (cont.)

BURNER PERFORMANCE ISSUES (cont.)

A. BURNER HAS HIGH FLAME

Root Cause		02	11	15	17	Corrective Action
Using natural-gas burner on propane gas	X	X	X	X	X	If gas listed on nameplate does not match gas you are burning, discontinue use and contact dealer for proper burner system. Have installed accordingly.
High gas pressure	X	X	X	X	X	Check gas pressure (see INSTALLATION IMPORTANT INFORMATION section, & check with local gas company).

OTHER ISSUES

Locate issues specific to problem until resolved.

A. ODORS

Root Cause		02	11	15	17	Corrective Action
Gas leak	X	X	X	X	X	Shut off gas (if possible). Follow instructions on front page. Have a qualified professional service technician or the gas company correct all leaks.
Damper not properly open, or closed.	X	X	X	X	X	Ensure damper is <u>fully</u> open.
New home, new carpet, or new paint	X	X	X	X	X	When these odors are drawn into the fireplace, they may cause objectionable odors. Thoroughly ventilate the area before restarting your burner system.

B. SMOKING AND/OR SOOTING

Root Cause		02	11	15	17	Corrective Action
Damper not properly open, or closed.	X	X	X	X	X	Ensure damper is <u>fully</u> open.
Incorrect media/log placement	X	X	X	X	X	Correct media/log placement (refer to this manual and the manual included with the log set).
Burner is positioned too close to front of firebox	X	X	X	X	X	Move burner system back to the rear of the firebox. Ensure media and logs are still properly installed.
Incorrect accessories w/burner system	X	X	X	X	X	Remove any accessories that do not belong with the system.
Using natural-gas burner on propane gas, or propane burner on natural gas	X	X	X	X	X	If gas listed on nameplate does not match gas you are burning, discontinue use and contact dealer for proper burner system. Have installed accordingly.
Air mixer closed (propane models)	X	X	X	X	X	Open air mixer completely.
Poor draft or downdraft	X	X	X	X	X	Check for chimney blockage. Be sure chimney is at least 3' taller than anything within 10' of it in all directions. If not, consult a chimney sweep. A chimney cap or fan may help.

C. FLAME AT AIR MIXER (PROPANE MODELS)

Root Cause		02	11	15	17	Corrective Action
Air mixer clogged	X	X	X	X	X	Clean air mixer of any spider webs or debris.
Burner ports clogged	X	X	X	X	X	Clean burner ports.
Incorrect burner media (sand) for propane gas	X	X	X	X	X	Contact dealer for <u>vermiculite</u> media and install accordingly.
High gas pressure	X	X	X	X	X	Check gas pressure (see INSTALLATION IMPORTANT INFORMATION section, & check with local gas company).

Detail A

Electrode (A)

When adjusting the spark electrode (if necessary), NEVER adjust the electrode by bending the wire. ALWAYS adjust the electrode by loosening the retainer nut(s), then adjust accordingly.

The minimum gap between the spark electrode/heat sensor and the pilot flame hood is 1/8". The maximum is 5/32".

If the electrode ceramic is loose in the threaded barrel, the pilot assembly must be replaced.

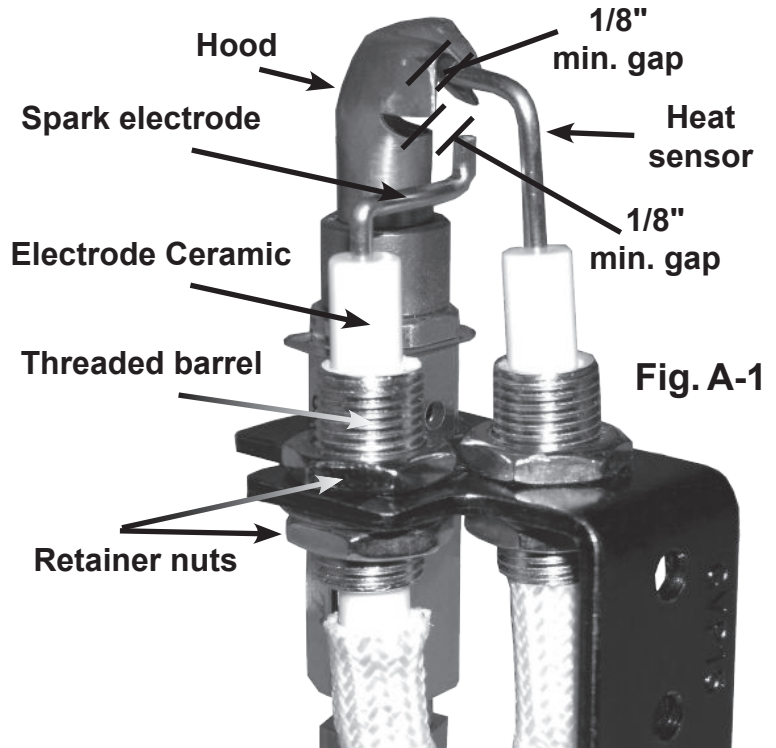


Fig. A-1

Detail B

Terminal Connections (B)

All of the connections on the control module must be properly attached. If the spade terminals are loose, inspect to ensure they correctly appear as detailed below. Use needle nose pliers to clamp down on the center/sides of the terminals if needed (to provide a tight fit.) See Fig B-3 below.

Spade Terminal Detail



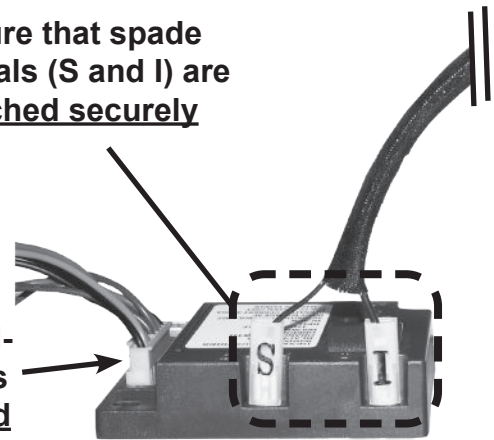
CORRECT

INCORRECT

(Fig. B-1)

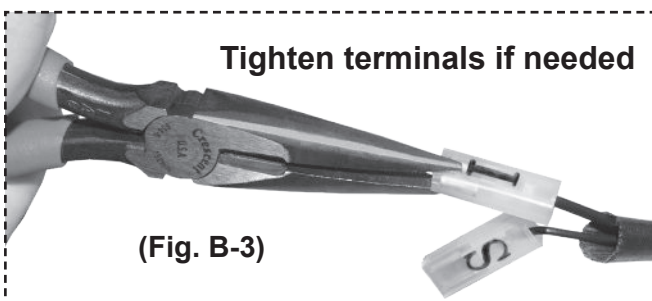
Ensure that spade terminals (S and I) are attached securely

Ensure that multi-wire connector is properly engaged



Control Module (DESIGN MAY VARY)

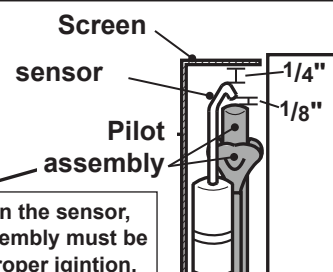
(Fig. B-2)



(Fig. B-3)

Detail C

Heat sensor Clearances (C)



The clearances between the sensor, the screen, and pilot assembly must be maintained to ensure proper ignition.

AVERTISSEMENT: Si les informations contenues dans ce manuel ne sont pas suivies à la lettre, un incendie ou une explosion peut en résulter, entraînant des dommages matériels, des blessures corporelles ou la mort.

- N'entrez pas et n'utilisez pas d'essence ou d'autres vapeurs et liquides inflammables à proximité de cet appareil ou de tout autre appareil.

- **QUE FAIRE SI VOUS SENTEZ DU GAZ:**

- N'essayez pas d'allumer un appareil.
- Ne touchez à aucun interrupteur électrique; n'utilisez aucun téléphone dans le bâtiment.
- Appelez immédiatement le fournisseur de gaz à partir du téléphone d'un voisin. Suivez les instructions du fournisseur de gaz.
- Si vous ne pouvez pas joindre le fournisseur de gaz, appelez les pompiers.
- Ouvrez une fenêtre.

- L'installation et l'entretien doivent être effectués par un technicien de service professionnel qualifié, une agence d'entretien ou le fournisseur de gaz.

IMPORTANT: LISEZ ATTENTIVEMENT CES INSTRUCTIONS AVANT DE COMMENCER L'INSTALLATION DE L'APPAREIL.

INSTALLATEUR:

Laissez ce manuel avec l'appareil.

CONSOMMATEUR:

Garde ce manuel pour y revenir plus tard.

Cet appareil doit être utilisé uniquement avec le type de gaz indiqué sur la plaque signalétique.

RÉFÉRENCEMENT

Cet appareil a été certifié pour:

APPAREILS DÉCORATIFS À GAZ POUR INSTALLATION DANS LES FOYERS À COMBUSTIBLES SOLIDES
ANSI Z21.60, CSA 2.26

Il a été certifié pour une utilisation avec du gaz naturel ou propane et est approuvé pour une installation dans un foyer à combustible solide.

EXIGENCES DU CODE

- A. L'installation et les dispositions relatives à l'air de combustion et de ventilation doivent être conformes au National Fuel Gas Code, ANSI Z223.1/NFPA 54, ou au Natural Gas and Propane Installation Code, CSA B149.1, et aux codes du bâtiment locaux applicables.
- B. Pour vous conformer à la certification, aux listes et aux acceptations du code du bâtiment, et pour un fonctionnement sûr et des performances appropriées de cet ensemble de bûches à gaz, utilisez **UNIQUEMENT** des pièces et accessoires Peterson. L'utilisation d'autres commandes, pièces et accessoires qui ne sont pas conçus pour être utilisés avec les ensembles de bûches à gaz Real Fyre est interdite et annulera toutes les garanties, certifications, listes et approbations du code du bâtiment, et peut causer des dommages matériels, des blessures corporelles ou la perte de la vie.
- C. Cet appareil peut être installé dans une maison préfabriquée (mobile) du marché secondaire, située en permanence, là où les codes locaux ne l'interdisent pas. L'installation d'appareils conçus pour une maison préfabriquée (États-Unis uniquement) ou une installation dans une maison mobile doit être conforme au Standard Mobile Housing, CAN/CSA Z240 MH, au Canada, ou à la Manufactured Home Construction and Safety Standard, Title 24 CFR, Part 3280, dans aux États-Unis, ou lorsqu'une telle norme n'est pas applicable, la norme d'installations de maisons préfabriquées ANSI/NCSBCS A225.1/NFPA 501A.

EXIGENCES RELATIVES AU FOYER

- A. Cet ensemble de bûches à gaz doit être installé uniquement dans un foyer à combustible solide avec un conduit de fumée fonctionnel et construit avec un matériau non combustible. Les combustibles solides ne doivent pas être brûlés dans un foyer où un appareil décoratif est installé.
- B. **AVERTISSEMENT:** Lors de l'installation dans un foyer à combustible solide, **le conduit de cheminée, le registre et la chambre de combustion doivent être soigneusement nettoyés** de la suie, de la créosote, des cendres et de la peinture en vrac, et doivent être inspectés par un nettoyeur de cheminée qualifié. Certains anciens foyers peuvent nécessiter des réparations avant d'installer cet appareil.
- C. Le plancher du foyer doit être de niveau et lisse.
- D. **Pour installer l'appareil à gaz dans votre foyer, le foyer DOIT répondre aux exigences de taille minimale.**
- E. **N'installez PAS ce système de brûleur dans un foyer avec une lèvre de cendres ou un renforcement de plus de $\frac{3}{4}$ ".**

EXIGENCES RELATIVES AUX PORTES EN VERRE

Si ce système de brûleur est installé dans un foyer avec portes vitrées et que le bas du cadre de la porte mesure plus de $\frac{3}{4}$ " de hauteur, le cadre DOIT avoir des fentes (au-dessus du plancher du foyer) qui permettent une ventilation adéquate. Cela empêche l'obstruction du flux d'air (pour le sol du foyer).

Note: Les portes peuvent être installées devant une lèvre de cendres (qui répond aux exigences de la page précédente).

Important: L'ouverture (avec les portes complètement ouvertes) DOIT répondre aux exigences minimales de largeur et de hauteur avant du foyer.

Important: Les portes vitrées DOIVENT être complètement ouvertes lorsque le brûleur est en marche.

EXIGENCES DE VENTILATION

- A. Un collier de serrage, qui doit être installé de façon permanente, est inclus pour maintenir l'exigence minimale d'ouverture libre permanente dans la cheminée du foyer et pour empêcher la fermeture complète du registre de la cheminée.
- B. **Le registre de cheminée DOIT être complètement ouvert lors de la combustion de l'unité.** L'unité est conçue pour brûler avec des flammes jaunes; une ventilation adéquate est donc absolument nécessaire.
- C. La hauteur minimale de la cheminée du foyer au sommet de la cheminée est de 15 pi.

CONSIGNES DE SÉCURITÉ AVANT L'INSTALLATION

ATTENTION: L'installation et la réparation doivent être effectuées par un installateur professionnel qualifié ou certifié NFI.

Installateur: Lisez attentivement ces instructions avant d'installer ce système de brûleur à gaz. Assurez-vous de bien comprendre toutes les précautions de sécurité et tous les avertissements contenus dans ce manuel.

- A. Une vanne d'arrêt (non incluse) dans la conduite d'alimentation en gaz est nécessaire.** Il doit être installé à proximité de l'unité et doit être facilement accessible. La vanne d'arrêt ne peut pas être située dans le foyer du foyer. Reportez-vous aux directives NFPA 54 pour plus de détails.
- B.** Un piège à sédiments dans la conduite d'alimentation en gaz est recommandé. Il doit être installé en aval de la vanne d'arrêt aussi près que possible de l'unité. Reportez-vous aux directives NFPA 54 pour plus de détails.
- C.** Cet appareil doit être utilisé uniquement avec le type de gaz indiqué sur la plaque signalétique. Cet appareil n'est **PAS CONVERTIBLE SUR LE TERRAIN** pour une utilisation avec d'autres gaz.
VÉRIFIEZ LE TYPE DE GAZ (naturel ou L.P.): L'alimentation en gaz doit être la même que celle indiquée sur la plaque signalétique de votre système de brûleur. Si l'alimentation en gaz est différente, **NE PAS INSTALLER**. Contactez votre revendeur pour une assistance immédiate.
- D. Cet appareil doit être installé uniquement dans un foyer à combustible solide, avec toutes les exigences du foyer (y compris les dimensions de la chambre de combustion) et les exigences de ventilation respectées. Voir la page précédente pour plus de détails.**
- E. UNE PRESSION DE GAZ INSUFFISANTE EMPÊCHERAIT L'APPAREIL DE FONCTIONNER CORRECTEMENT. NE PAS UTILISER SI LA PRESSION DE GAZ EST INFÉRIEURE À LA NÉCESSITÉ MINIMALE.**
- F.** La pression d'entrée *minimale* de l'alimentation en gaz aux fins du réglage de l'entrée est de **5"** colonne d'eau (w.c.) sur le **gaz naturel** et de **11"** w.c. sur le **gaz L.P.** Une pression de gaz insuffisante affectera le bon fonctionnement du appareil. N'installez pas cet appareil à gaz si la pression minimale n'est pas disponible. La pression maximale d'alimentation en gaz d'entrée est de **10,5"** w.c. sur le gaz naturel et de **13"** w.c. sur le gaz L.P. La source L.P. doit être réglée, située à l'extérieur et revêtue d'un revêtement dur (un tuyau rigide doit entrer dans le foyer). **NE connectez PAS cet appareil à un réservoir / une bouteille de gaz propane non réglementé. NE PAS placer le réservoir / cylindre à l'intérieur de la maison. NE PAS faire passer un tuyau en caoutchouc ou un connecteur flexible dans le foyer. Le non-respect de ces exigences peut provoquer une explosion, des dommages matériels, des blessures corporelles ou la mort.**
- G. Le système de tuyauterie de gaz doit être dimensionné pour fournir une pression d'entrée minimale au débit maximal (BTU / h).** Une perte de pression excessive se produira si le tuyau est trop petit ou si la course est trop longue. La conduite d'alimentation en gaz doit avoir un diamètre intérieur minimum de 1/2". Si la conduite de gaz mesure plus de 20 pieds, une conduite de plus grand diamètre peut être nécessaire. Reportez-vous aux directives NFPA 54 pour plus de détails.
- H.** Les valeurs nominales d'entrée indiquées en BTU par heure sont pour des élévations jusqu'à 2000 pieds. Pour des élévations supérieures à 2000 pieds, reportez-vous au National Fuel Gas Code ou contactez le fabricant avant d'installer ce produit.

CONSIGNES DE SÉCURITÉ POUR L'INSTALLATION

- A. ATTENTION: s'il n'est pas installé, entretenu et utilisé correctement selon ces instructions, ce produit peut provoquer des blessures graves, des dommages matériels ou la mort.**
- B.** Cet appareil à gaz et sa soupape de gaz principale doivent être déconnectés du système de tuyauterie d'alimentation en gaz pendant tout test de pression de ce système à des pressions d'essai supérieures à 1/2 psi (3,5 kPa).
- C.** Cet appareil à gaz doit être isolé du système de tuyauterie d'alimentation en gaz en fermant le robinet d'arrêt de son équipement lors de tout essai de pression du système de tuyauterie d'alimentation en gaz à des pressions d'essai égales ou inférieures à 1/2 psi (3,5 kPa).

DIRECTIVES DE SÉCURITÉ D'UTILISATION

Consommateur: Lisez attentivement ces instructions avant d'utiliser ce système de brûleur à gaz. Assurez-vous de bien comprendre toutes les précautions et avertissements de sécurité contenus dans ce manuel.

- A. ATTENTION: s'il n'est pas utilisé correctement selon ces instructions, ce produit peut causer des blessures graves, des dommages matériels ou la mort.**
- B.** Des adultes DOIVENT être présents lorsque cet appareil à gaz fonctionne. Cet appareil NE DOIT PAS être laissé allumé lorsqu'il est sans surveillance ou pendant que quelqu'un dort.
- C.** Le récepteur à distance, le boîtier de commutation et le ou les boucliers thermiques décoratifs seront chauds pendant et après le fonctionnement.
- D. Le registre de cheminée DOIT être complètement ouvert lors de la combustion de l'unité.** L'unité est conçue pour brûler avec des flammes jaunes; une ventilation adéquate est donc absolument nécessaire.
- E.** Gardez la zone de l'appareil dégagée et exempte de matériaux combustibles, d'essence et d'autres vapeurs et liquides inflammables.
- F.** Gardez le sable / la vermiculite, les braises et tous les corps étrangers éloignés de l'assemblage de la veilleuse et de l'assemblage de la vanne à tout moment.
- G. N'UTILISEZ PAS** cet appareil si l'une des pièces a été sous l'eau. Appelez immédiatement un technicien d'entretien qualifié pour inspecter l'appareil et pour remplacer toute pièce du système de commande et toute commande de gaz qui a été sous l'eau. Une tentative de fonctionnement peut entraîner un incendie ou une explosion entraînant des dommages matériels, des blessures corporelles ou la mort.
- H. Un écran de foyer doit être en place lorsque l'appareil fonctionne.** Des dispositions pour un air de combustion adéquat doivent être maintenues. À moins que d'autres dispositions pour l'air de combustion ne soient prévues, le tamis doit avoir une ou plusieurs ouvertures pour l'introduction de l'air de combustion. L'air de combustion est adéquat lorsque toutes les flammes s'enroulent dans le foyer et loin de l'écran. **Lorsqu'une enceinte de foyer en verre (porte) est utilisée, les portes en verre DOIVENT être complètement ouvertes lorsque le brûleur est en marche.**
- I.** Ne retirez pas les plaques signalétiques ou les étiquettes d'avertissement. Ces éléments font partie intégrante de la sécurité et de l'identification de cet appareil.
- J.** Assurez-vous de lire la section Maintenance et service de routine.

INSTRUCTIONS D'ÉCLAIRAGE - SÉRIE MANUEL

POUR VOTRE SÉCURITÉ, LIRE AVANT D'ALLUMER

AVERTISSEMENT: Si vous ne suivez pas exactement ces instructions, un incendie ou une explosion peutes dommages matériels, les blessures corporelles ou la mort. Soyez prudent autour de toutes les surfaces chaudes.

- A. Cet appareil a une veilleuse qui peut être allumée à la l'aide de l'allumeur piézo intégré, ou main à l'aide d'une longue allumette de cheminée ou d'un briquet. Lorsque vous allumez la veilleuse, suivez exactement ces instructions.
- B. **AVANT L'ALLUMAGE, sentez le gaz tout autour de l'appareil. Assurez-vous de sentir près du sol parce que certains gaz sont plus lourds que l'air et se déposent sur le sol. QUE FAIRE SI VOUS SENTEZ DU GAZ.**
- N'essayez pas d'allumer un appareil.
 - Ne touchez à aucun interrupteur électrique; n'utilisez aucun téléphone dans votre immeuble.
 - Appelez immédiatement votre fournisseur de gaz à partir du téléphone d'un voisin. Suivez les instructions du fournisseur de gaz. Si vous ne pouvez pas joindre votre fournisseur de gaz, appelez les pompiers.
- C. N'utilisez que votre main pour pousser ou tourner le bouton de commande de gaz. N'utilisez jamais d'outils. Si le bouton ne s'enfonce pas ou ne tourne pas à la main, n'essayez pas de le réparer. Appelez un technicien de service professionnel qualifié. Force ou tentative de réparation peut provoquer un incendie ou une explosion.
- D. N'utilisez pas cet appareil si l'une des pièces a été submergée. Appelez immédiatement un technicien de service professionnel qualifié inspecter l'appareil et pour remplacer toute pièce du système de commande et toute commande de gaz qui a été sous-marin.

FONCTIONNEMENT DU PILOTE

Éclairage

1. **ARRÊTER!** Lisez les informations de sécurité ci-dessus.
2. Localisez la vanne sur le côté de l'unité. Pousser le gaz bouton de commande légèrement et tourner dans le sens des aiguilles d'une montre ↻ sur **OFF** (éteindre) (voir Fig. 51-2).

Note: Le bouton de commande ne peut pas être tourné de **PILOT** (pilote) à **OFF** (éteindre) sauf si le bouton est légèrement enfoncé. Ne force pas.

Attendez cinq (5) minutes pour éliminer tout gaz. Si vous sentez alors une odeur de gaz, ARRÊTEZ ! Suivez "B" dans les informations de sécurité ci-dessus. Si vous ne sentez pas d'odeur de gaz, passez à l'étape suivante.

3. Localisez l'assemblage de la veilleuse sur le côté ou à l'arrière du bac du brûleur (voir Fig. 51-1).
4. Tournez le bouton de commande dans le sens antihoraire ↺ sur **PILOT** (pilote). Appuyez **fermement et complètement** sur le bouton de commande et maintenez-le enfoncé. Appuyez plusieurs fois sur le bouton de l'allumeur piézo jusqu'à ce que la veilleuse s'allume. Continuez à maintenir le bouton enfoncé pendant environ une (1) minute après l'allumage de la veilleuse. Relâchez le bouton et il ressortira. La veilleuse restera allumée. Voir la Fig. 51-1. S'il s'éteint, répétez les étapes 2 à 4.

Alternativement, une allumette à longue tige / un briquet au butane à long col peut être tenu près du thermocouple pour allumer la veilleuse.

- Si le bouton ne s'ouvre pas lorsqu'il est relâché, arrêtez-vous et appelez immédiatement votre technicien de service ou votre fournisseur de gaz.
- Si la veilleuse ne reste pas allumée après plusieurs essais, reportez-vous à l'étape d'arrêt ci-dessous et contactez un technicien de service professionnel qualifié.

Éteindre

Appuyez légèrement sur le bouton de contrôle et tournez-le dans le sens des aiguilles d'une montre ↻ pour **OFF** (éteindre). Ne force pas. Voir Fig. 51-2.

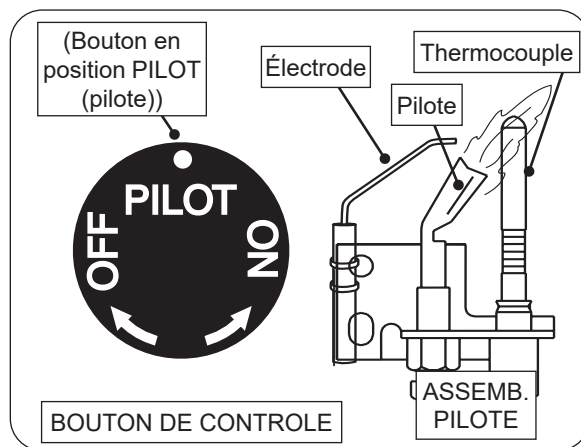


Fig. 51-1 Éclairage pilote

- tournez le bouton sur **OFF** (éteindre), attendez 5 minutes
- tourner le bouton sur **PILOT** (pilote)
- enfoncer le bouton et le maintenir
- utiliser piézo ou allumette / briquet pour allumer la veilleuse

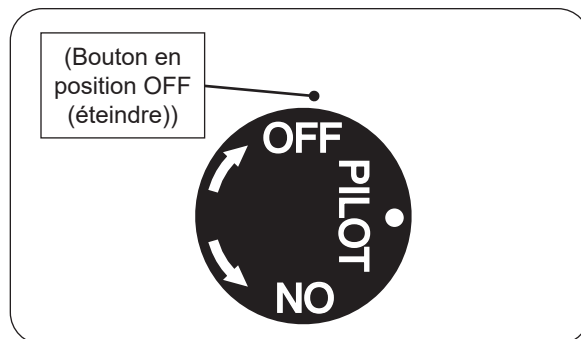


Fig. 51-2 Arrêt du pilote

- tourner le bouton sur **OFF** (éteindre) pour arrêter le pilote

FONCTIONNEMENT DU BRÛLEUR

Éclairage

1. Assurez-vous que la veilleuse brûle. Tournez le bouton de commande du gaz dans le sens antihoraire sur ON (sur) pour allumer le brûleur (Fig. 52-1). La valve s'ouvrira et le brûleur s'allumera.

Note: Cette séquence prendra environ 5 secondes.

AVERTISSEMENT: Si le brûleur ne s'allume pas dans les 5 secondes, tournez le bouton de commande dans le sens des aiguilles d'une montre sur PILOT. Attendez cinq (5) minutes pour évacuer tout gaz, puis répétez l'étape 1. **SI VOUS SENTEZ ENSUITE DU GAZ, ARRÊTEZ ! VOIR L'ÉTAPE BAU DÉBUT DES INSTRUCTIONS D'ALLUMAGE.**

Si le brûleur ne s'allume pas après plusieurs essais, reportez-vous à l'étape d'arrêt total ci-dessous et contactez un technicien de service professionnel qualifié.

Éteindre

Pour arrêter le brûleur principal (la veilleuse restera allumée), tournez le bouton de commande dans le sens des aiguilles d'une montre jusqu'à **PILOT** (pilote) (voir Fig. 52-2).

Pour arrêter le brûleur et la veilleuse (arrêt total), poussez légèrement le bouton de commande et tournez dans le sens des aiguilles d'une montre jusqu'à **OFF** (éteindre) (voir Fig.52-2).

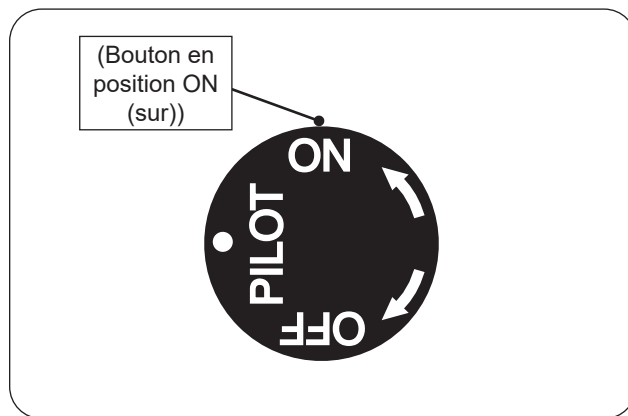


Fig. 52-1 Éclairage manuel

- s'assurer que la veilleuse est allumée
- tourner le bouton sur ON (sur) pour allumer le brûleur

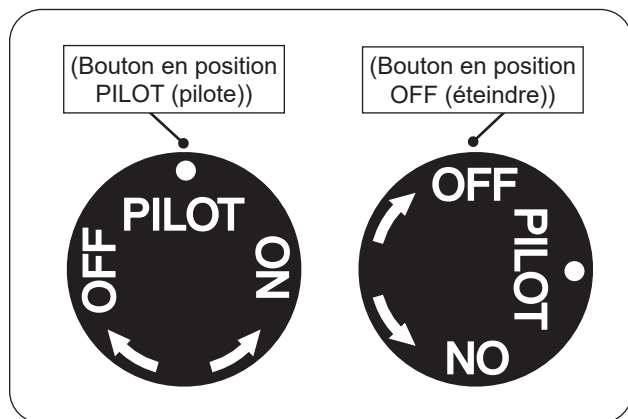


Fig. 52-2 Arrêt manuel

- tournez le bouton sur PILOT (pilote) pour éteindre le brûleur (uniquement)
- tourner le bouton sur OFF (éteindre) pour arrêter le brûleur et la veilleuse

INSTRUCTIONS D'ÉCLAIRAGE - SÉRIE 02

POUR VOTRE SÉCURITÉ, LIRE AVANT D'ALLUMER

AVERTISSEMENT: Si vous ne suivez pas ces instructions à la lettre, un incendie ou une explosion peut en résulter et entraîner des dommages matériels, des blessures corporelles ou la mort. Le boîtier de commutateur sera chaud pendant et après le fonctionnement. Soyez prudent autour de toutes les surfaces chaudes.

A. Cet appareil est équipé d'un dispositif d'allumage qui allume automatiquement la veilleuse. N'essayez PAS d'allumer la veilleuse à la main.

B. AVANT DE FAIRE FONCTIONNER, sentez le gaz tout autour de l'appareil. Assurez-vous de sentir près du sol car certains gaz sont plus lourds que l'air et se déposent sur le sol.

QUE FAIRE SI VOUS SENTEZ DU GAZ

- N'essayez pas d'allumer un appareil.
 - Ne touchez à aucun interrupteur électrique; n'utilisez aucun téléphone dans votre immeuble.
 - Appelez immédiatement votre fournisseur de gaz à partir du téléphone d'un voisin. Suivez les instructions du fournisseur de gaz. Si vous ne pouvez pas joindre votre fournisseur de gaz, appelez les pompiers.
- C.** Utilisez uniquement le système de commande (ou la télécommande le cas échéant) pour allumer la veilleuse. Cette vanne ne fonctionnera pas si le pilote n'est pas allumé et stable.
- D.** N'utilisez pas cet appareil si l'une des pièces a été submergée. Appelez immédiatement un technicien de service qualifié pour inspecter l'appareil et remplacer toute pièce du système de commande et toute commande de gaz qui a été sous l'eau.

FONCTIONNEMENT DU BRÛLEUR - MODE MANUEL

En mode manuel, si un système à distance est équipé, l'émetteur ne fonctionnera pas le système de brûleur.

Éclairage

ATTENTION: N'essayez PAS d'allumer la veilleuse à la main.

1. ARRÊTER! Lisez les informations de sécurité ci-dessus.
2. Localisez l'interrupteur ON/OFF (sur/éteint) à l'avant du boîtier de commutation (et l'interrupteur à 3 positions sur le récepteur à distance - le cas échéant), et appuyez/faites glisser jusqu'à la (les) position(s) **OFF** (éteint).

Attendez 5 minutes pour évacuer le gaz. Si vous sentez une odeur de gaz, STOP ! Suivez "B" dans les informations ci-dessus. Si vous ne sentez pas d'odeur de gaz, passez à l'étape suivante.

3. Appuyez sur l'interrupteur ON/OFF (sur/éteint) à la position **ON** (sur) (**I**) (see Fig. 53-1).

Note: Si un système à distance est équipé, assurez-vous que l'interrupteur à 3 positions du récepteur à distance reste en position **OFF** (éteint) lors de l'éclairage manuel.

L'allumeur commencera à produire des étincelles. Une fois la veilleuse allumée et établie, la soupape s'ouvre et le brûleur s'allume.

Note: Cette séquence prendra environ 5 secondes.

AVERTISSEMENT: Si la veilleuse ne s'allume pas dans les 5 secondes ou si le brûleur ne s'allume pas dans les 5 secondes suivant l'allumage de la veilleuse, appuyez sur l'interrupteur sur **OFF** (éteint). Attendez cinq (5) minutes pour évacuer tout gaz, puis répétez l'étape 3. **SI VOUS SENTEZ DU GAZ, ARRÊTEZ ! VOIR L'ÉTAPE B CI-DESSUS.**

Si le brûleur ne s'allume pas après plusieurs essais, reportez-vous à l'étape d'arrêt ci-dessus et contactez un technicien de service professionnel qualifié.

Éteindre

Appuyez sur l'interrupteur ON/OFF (sur/éteint) à l'avant du boîtier de commutation en position **OFF** (éteint) (**O**).

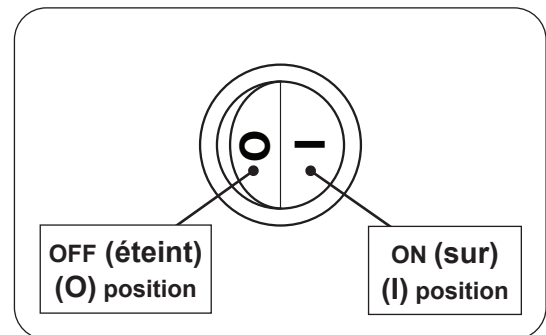


Fig. 53-1 Opération manuelle

- mettre l'interrupteur ON (sur) (**I**) pour allumer le brûleur
- mettre l'interrupteur OFF (éteint) (**O**) pour arrêter le brûleur

FONCTIONNEMENT DU BRÛLEUR - MODE À DISTANCE (si équipé)

Note: Si la télécommande ne fonctionne pas et que de nouvelles piles sont installées, reportez-vous à la section SYNC THE REMOTE SYSTEM.

Éclairage

ATTENTION: N'essayez PAS d'allumer la veilleuse à la main.

1. ARRÊTER! Lisez les informations de sécurité ci-dessus.
2. Localisez l'interrupteur ON/OFF (sur/éteint) à l'avant du boîtier de commutation et l'interrupteur à 3 positions sur le récepteur à distance, et appuyez/faites glisser jusqu'aux position(s) **OFF** (éteint).

Attendez cinq (5) minutes pour éliminer tout gaz. Si vous sentez alors une odeur de gaz, ARRÊTEZ ! Suivez "B" dans les informations de sécurité au début des instructions d'allumage. Si vous ne sentez pas d'odeur de gaz, passez à l'étape suivante.

3. Faites glisser le commutateur à 3 positions du récepteur à distance sur **REMOTE** (télécommande) (voir Fig. 54-1).

Note: Assurez-vous que l'interrupteur ON/OFF (faible/éteindre) à l'avant du coffret électrique reste en position **OFF** (éteindre) (**O**) lors de l'éclairage à distance.

4. Localisez la télécommande et appuyez sur le bouton **ON** (SUR) (voir Fig. 54-1). La séquence d'allumage commencera.

Le récepteur à distance émettra un "bip" audible; alors l'allumeur commencera à étinceler. Une fois la veilleuse allumée et établie, la soupape s'ouvre et le brûleur s'allume.

Note: La séquence d'allumage prendra environ 5 secondes.

AVERTISSEMENT: Si la veilleuse ne s'allume pas dans les 5 secondes, ou si le brûleur ne s'allume pas dans les 5 secondes suivant l'allumage de la veilleuse, appuyez sur le bouton **OFF** de la télécommande et faites glisser l'interrupteur sur **OFF**. Attendez cinq (5) minutes pour évacuer tout gaz, puis répétez les étapes 3 et 4. **SI VOUS SENTEZ ENSUITE DU GAZ, ARRÊTEZ ! VOIR ÉTAPE B AU DÉBUT DES INSTRUCTIONS D'ALLUMAGE .**

Si le brûleur ne s'allume pas après plusieurs essais, appuyez sur le bouton **OFF** (éteint) de l'émetteur à distance, faites glisser l'interrupteur du récepteur à distance sur **OFF** et contactez un technicien de service professionnel qualifié.

Éteindre

Appuyez sur le bouton **OFF** (éteint) de la télécommande. **Si la télécommande n'est pas disponible**, faites glisser l'interrupteur du récepteur de télécommande sur **OFF**. Voir Fig. 54-2.

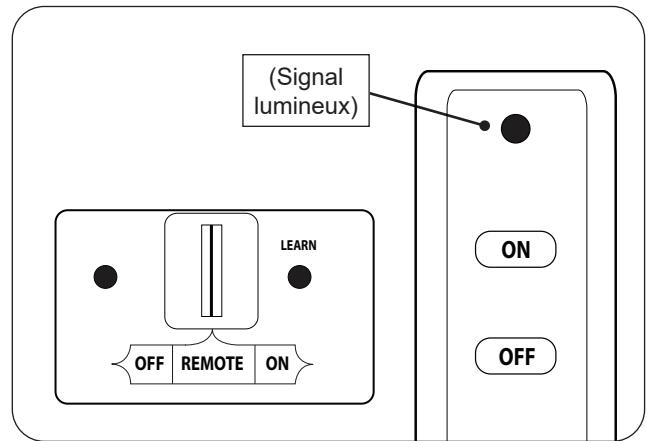


Fig. 54-1 Éclairage à distance

- régler le commutateur sur **REMOTE** (à distance)
- appuyez sur le bouton **ON** (sur) pour allumer le brûleur

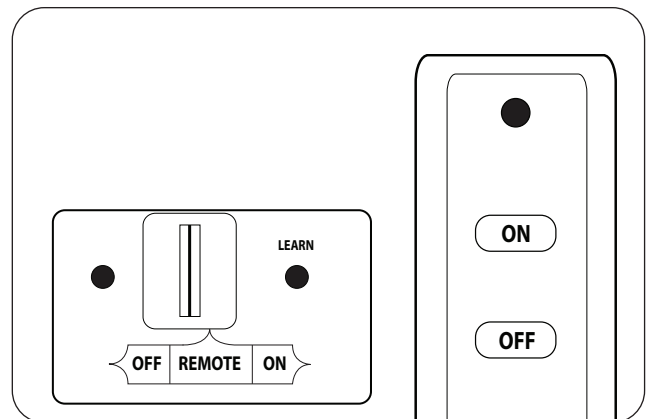


Fig. 54-2 Arrêt à distance

- appuyez sur le bouton **OFF** (éteint) pour éteindre le brûleur (réglez le commutateur sur **OFF** si la télécommande n'est pas disponible)

INSTRUCTIONS D'ÉCLAIRAGE - SÉRIE 11

POUR VOTRE SÉCURITÉ, LIRE AVANT D'ALLUMER

AVERTISSEMENT: Si vous ne suivez pas exactement ces instructions, un incendie ou une explosion peutes dommages matériels, les blessures corporelles ou la mort. Soyez prudent autour de toutes les surfaces chaudes.

- A. Cet appareil a une veilleuse qui peut être allumée à la l'aide de l'allumeur piézo intégré, ou main à l'aide d'une longue allumette de cheminée ou d'un briquet. Lorsque vous allumez la veilleuse, suivez exactement ces instructions.
- B. **AVANT L'ALLUMAGE, sentez le gaz tout autour de l'appareil. Assurez-vous de sentir près du sol parce que certains gaz sont plus lourds que l'air et se déposent sur le sol. QUE FAIRE SI VOUS SENTEZ DU GAZ.**
- N'essayez pas d'allumer un appareil.
 - Ne touchez à aucun interrupteur électrique; n'utilisez aucun téléphone dans votre immeuble.
 - Appelez immédiatement votre fournisseur de gaz à partir du téléphone d'un voisin. Suivez les instructions du fournisseur de gaz. Si vous ne pouvez pas joindre votre fournisseur de gaz, appelez les pompiers.
- C. N'utilisez que votre main pour pousser ou tourner le bouton de commande de gaz. N'utilisez jamais d'outils. Si le bouton ne s'enfonce pas ou ne tourne pas à la main, n'essayez pas de le réparer. Appelez un technicien de service professionnel qualifié. Force ou tentative de réparation peut provoquer un incendie ou une explosion.
- D. N'utilisez pas cet appareil si l'une des pièces a été submergée. Appelez immédiatement un technicien de service professionnel qualifié inspecter l'appareil et pour remplacer toute pièce du système de commande et toute commande de gaz qui a été sous-marin.

FONCTIONNEMENT DU PILOTE

Éclairage

1. ARRÊTER! Lisez les informations de sécurité ci-dessus.
2. Localisez la vanne sur le côté de l'unité. Pousser le gaz bouton de commande légèrement et tourner dans le sens des aiguilles d'une montre sur **OFF** (éteindre) (voir Fig. 55-2).

Note: Le bouton de commande ne peut pas être tourné de **PILOT** (pilote) à **OFF** (éteindre) sauf si le bouton est légèrement enfoncé. Ne force pas.

Attendez cinq (5) minutes pour éliminer tout gaz. Si vous sentez alors une odeur de gaz, ARRÊTEZ ! Suivez "B" dans les informations de sécurité ci-dessus. Si vous ne sentez pas d'odeur de gaz, passez à l'étape suivante.

3. Localisez l'assemblage de la veilleuse sur le côté ou à l'arrière du bac du brûleur (voir Fig. 55-1).
4. Tournez le bouton de commande dans le sens antihoraire sur **PILOT** (pilote). Appuyez **fermement et complètement** sur le bouton de commande et maintenez-le enfoncé. Appuyez plusieurs fois sur le bouton de l'allumeur piézo jusqu'à ce que la veilleuse s'allume. Continuez à maintenir le bouton enfoncé pendant environ une (1) minute après l'allumage de la veilleuse. Relâchez le bouton et il ressortira. La veilleuse restera allumée. Voir la Fig. 55-1. S'il s'éteint, répétez les étapes 2 à 4.

Alternativement, une allumette à longue tige / un briquet au butane à long col peut être tenu près du thermopile pour allumer la veilleuse.

- Si le bouton ne s'ouvre pas lorsqu'il est relâché, arrêtez-vous et appelez immédiatement votre technicien de service ou votre fournisseur de gaz.
- Si la veilleuse ne reste pas allumée après plusieurs essais, reportez-vous à l'étape d'arrêt ci-dessous et contactez un technicien de service professionnel qualifié.

Éteindre

Appuyez légèrement sur le bouton de contrôle et tournez-le dans le sens des aiguilles d'une montre sur **OFF** (éteindre). Ne force pas. Voir Fig. 55-2.

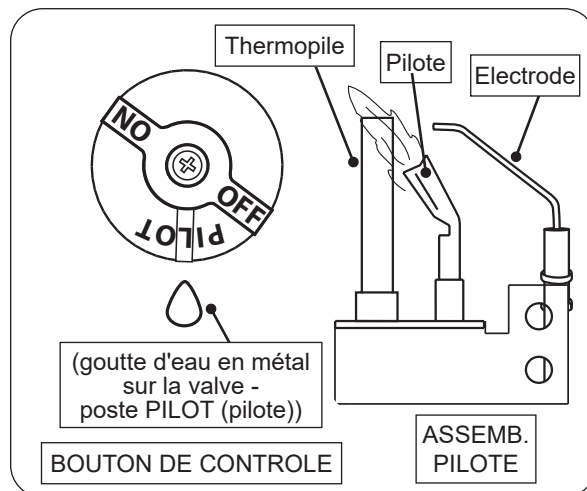


Fig. 55-1 Éclairage pilote

- tournez le bouton sur **OFF** (éteindre), attendez 5 minutes
- tourner le bouton sur **PILOT** (pilote)
- enfoncer le bouton et le maintenir
- utiliser piézo ou allumette / briquet pour allumer la veilleuse

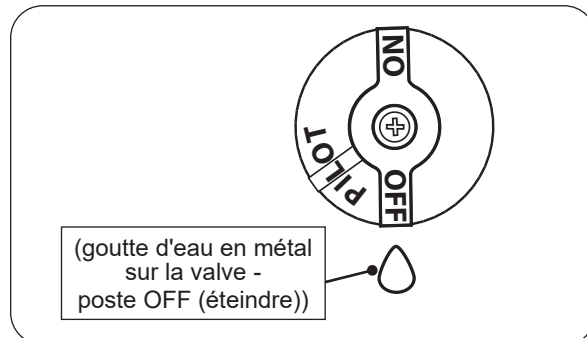


Fig. 55-2 Arrêt du pilote

- tourner le bouton sur **OFF** (éteindre) pour arrêter le pilote

FONCTIONNEMENT DU BRÛLEUR - MODE MANUEL

En mode manuel, si un récepteur à distance est équipé, l'émetteur ne fera pas fonctionner le système de brûleur.

Éclairage

1. Assurez-vous que la veilleuse brûle. Tournez le bouton de commande dans le sens antihoraire ↻ sur **ON** (sur) (voir Fig. 56-1).
2. Basculez l'interrupteur à bascule sur **ON** (sur) pour allumer le brûleur (voir Fig. 56-1).

Note: Si un système à distance est équipé, assurez-vous que l'interrupteur à 3 positions du récepteur à distance reste en position **OFF** (éteindre) lors de l'éclairage manuel.

La vanne s'ouvrira et le brûleur s'allumera.

Note: Cette séquence prendra environ 5 secondes.

AVERTISSEMENT: Si le brûleur ne s'allume pas dans les 5 secondes, basculez l'interrupteur à bascule sur **OFF** et tournez le bouton de commande dans le sens des aiguilles d'une montre ↻ sur **PILOT**. Attendez cinq (5) minutes pour évacuer tout gaz, puis répétez les étapes 1 et 2. **SI VOUS SENTEZ ENSUITE DU GAZ, ARRÊTEZ ! VOIR ÉTAPE B AU DÉBUT DES INSTRUCTIONS D'ALLUMAGE.**

Si le brûleur ne s'allume pas après plusieurs essais, reportez-vous à l'étape d'arrêt total ci-dessous et contactez un technicien de service professionnel qualifié.

Éteindre

Pour arrêter le brûleur principal (la veilleuse restera allumée), basculez l'interrupteur à bascule sur **OFF** (éteindre) (voir Fig. 56-2).

Pour arrêter le brûleur et la veilleuse (arrêt total), basculez l'interrupteur à bascule sur **OFF** (éteindre), appuyez légèrement sur le bouton de commande et tournez dans le sens des aiguilles d'une montre ↻ sur **OFF** (éteindre) (voir Fig.56-2).

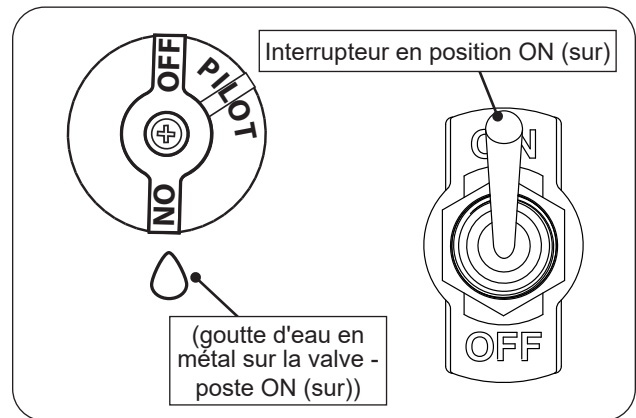


Fig. 56-1 Manual lighting

- s'assurer que la veilleuse est allumée
- tourner le bouton sur ON (sur)
- basculer l'interrupteur sur ON (sur) pour allumer le brûleur

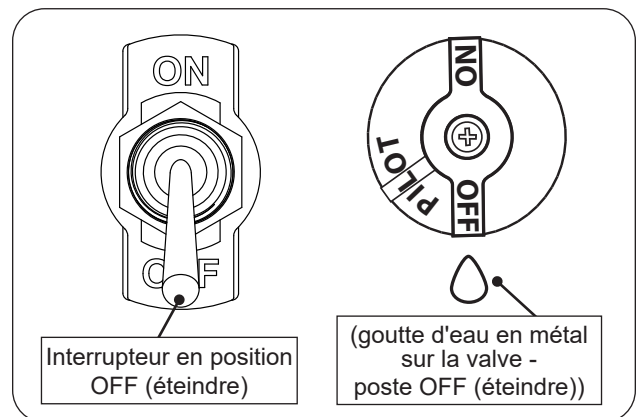


Fig. 56-2 Manual shut down

- basculer l'interrupteur sur OFF (éteindre) pour éteindre le brûleur (uniquement)
- basculez l'interrupteur sur OFF (éteindre) et tournez le bouton sur OFF (éteindre) pour arrêter le brûleur et la veilleuse

FONCTIONNEMENT DU BRÛLEUR - MODE À DISTANCE (le cas échéant)

Note: Si la télécommande ne fonctionne pas et que de nouvelles piles sont installées, reportez-vous à la section SYNC THE REMOTE SYSTEM.

Éclairage

1. Assurez-vous que la veilleuse brûle. Tournez le bouton de commande dans le sens antihoraire sur **ON** (sur) (voir Fig. 57-1).

Note: Assurez-vous que l'interrupteur à bascule reste en position **OFF** (éteindre) lors de l'éclairage à distance.

2. Localisez l'interrupteur à 3 positions sur le récepteur à distance et faites glisser l'interrupteur sur **REMOTE** (télécommande) (voir Fig. 57-1).
3. Localisez la télécommande et appuyez sur le bouton **ON** (sur) (voir Fig. 57-1). La séquence d'allumage commencera.

Le récepteur à distance émettra un "bip" audible; alors la valve s'ouvrira et le brûleur s'allumera.

Note: Cette séquence prendra environ 5 secondes.

AVERTISSEMENT: Si le brûleur ne s'allume pas dans les 5 secondes, appuyez sur le bouton **OFF** de la télécommande, faites glisser l'interrupteur sur **OFF** et tournez le bouton de commande dans le sens des aiguilles d'une montre sur **PILOT**. Attendez cinq (5) minutes pour éliminer tout gaz, puis répétez les étapes 1 à 3. **SI VOUS SENTEZ DU GAZ, ARRÊTEZ ! VOIR ÉTAPE B AU DÉBUT DES INSTRUCTIONS D'ALLUMAGE.**

Si le brûleur ne s'allume pas après plusieurs essais, reportez-vous aux étapes d'arrêt total ci-dessous et contactez un technicien de service professionnel qualifié.

Éteindre

Pour arrêter le brûleur principal (la veilleuse restera allumée), appuyez sur le bouton **OFF** (éteindre) de la télécommande. **Si la télécommande n'est pas disponible,** faites glisser l'interrupteur du récepteur sur la position **OFF**. Voir Fig. 57-2.

Pour éteindre le brûleur et la veilleuse (arrêt total), appuyez sur le bouton **OFF** (éteindre) de la télécommande, faites glisser l'interrupteur du récepteur sur **OFF**, enfoncez légèrement le bouton de commande et tournez-le dans le sens des aiguilles d'une montre pour **OFF**. Voir Fig. 57-2.

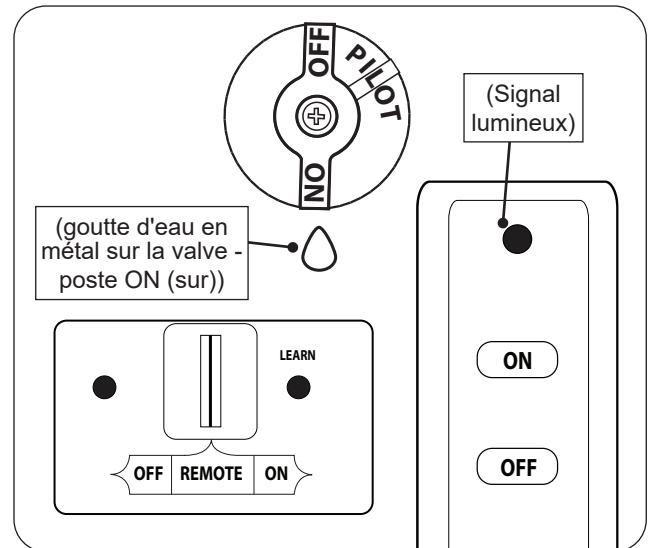


Fig. 57-1 Remote lighting

- s'assurer que la veilleuse est allumée
- tourner le bouton sur ON (sur)
- régler le commutateur sur REMOTE (télécommande)
- appuyez sur le bouton ON (sur) pour allumer le brûleur

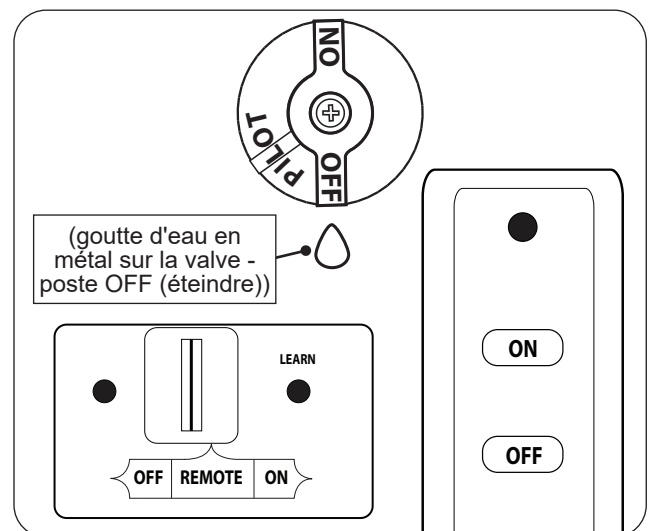


Fig. 57-2 Remote shut down

- appuyez sur le bouton OFF (éteindre) pour éteindre le brûleur (uniquement)
- appuyez sur le bouton OFF, réglez l'interrupteur sur OFF et tournez bouton sur OFF pour éteindre le brûleur et la veilleuse

INSTRUCTIONS D'ÉCLAIRAGE - SÉRIE 15

POUR VOTRE SÉCURITÉ, LIRE AVANT D'ALLUMER

AVERTISSEMENT: Si vous ne suivez pas exactement ces instructions, un incendie ou une explosion peutes dommages matériels, les blessures corporelles ou la mort. Soyez prudent autour de toutes les surfaces chaudes.

- A. Cet appareil a une veilleuse qui peut être allumée à la l'aide de l'allumeur piézo intégré, ou main à l'aide d'une longue allumette de cheminée ou d'un briquet. Lorsque vous allumez la veilleuse, suivez exactement ces instructions.
- B. **AVANT L'ALLUMAGE, sentez le gaz tout autour de l'appareil. Assurez-vous de sentir près du sol parce que certains gaz sont plus lourds que l'air et se déposent sur le sol. QUE FAIRE SI VOUS SENTEZ DU GAZ.**
 - N'essayez pas d'allumer un appareil.
 - Ne touchez à aucun interrupteur électrique; n'utilisez aucun téléphone dans votre immeuble.
 - Appelez immédiatement votre fournisseur de gaz à partir du téléphone d'un voisin. Suivez les instructions du fournisseur de gaz. Si vous ne pouvez pas joindre votre fournisseur de gaz, appelez les pompiers.
- C. N'utilisez que votre main pour pousser ou tourner le bouton de commande de gaz. N'utilisez jamais d'outils. Si le bouton ne s'enfonce pas ou ne tourne pas à la main, n'essayez pas de le réparer. Appelez un technicien de service professionnel qualifié. Force ou tentative de réparation peut provoquer un incendie ou une explosion.
- D. N'utilisez pas cet appareil si l'une des pièces a été submergée. Appelez immédiatement un technicien de service professionnel qualifié inspecter l'appareil et pour remplacer toute pièce du système de commande et toute commande de gaz qui a été sous-marin.

FONCTIONNEMENT DU PILOTE

Éclairage

1. **ARRÊTER!** Lisez les informations de sécurité ci-dessus.
2. Localisez la vanne sur le côté de l'appareil. Poussez le contact légèrement le bouton et tournez dans le sens des aiguilles d'une montre pour que l'indicateur pointe vers **OFF** (éteinte) sur la vanne (voir Fig. 58-2).

Note: Le bouton de commande ne peut pas être tourné de **PILOT** (pilote) à **OFF** (éteindre) sauf si le bouton est légèrement enfoncé. Ne force pas.

Attendez cinq (5) minutes pour éliminer tout gaz. Si vous sentez alors une odeur de gaz, ARRÊTEZ ! Suivez "B" dans les informations de sécurité ci-dessus. Si vous ne sentez pas d'odeur de gaz, passez à l'étape suivante.

3. Localisez l'assemblage de la veilleuse sur le côté ou à l'arrière du bac du brûleur (voir Fig. 58-1).
4. Tournez le bouton d'allumage dans le sens antihoraire vers **IGN** (allumage) jusqu'à ce qu'il s'arrête. Appuyez fermement et complètement sur le bouton et maintenez-le enfoncé pendant 5 secondes (seul le gaz pilote s'écoulera).
5. Tout en maintenant le bouton enfoncé, tournez le bouton de commande dans le sens antihoraire vers **PILOT** (pilote) jusqu'à ce que vous entendiez un clic (l'allumeur piézo-électrique s'activera et allumera la veilleuse). Continuez à maintenir le bouton enfoncé pendant environ une (1) minute après l'allumage de la veilleuse. Relâchez le bouton et il ressortira. La veilleuse restera allumée. Voir la Fig. 58-1. S'il s'éteint, répétez les étapes 2 à 5.

Alternativement, une allumette à longue tige / un briquet au butane à long col peut être tenu près du thermocouple pour allumer la veilleuse.

- Si le bouton ne s'ouvre pas lorsqu'il est relâché, arrêtez-vous et appelez immédiatement votre technicien de service ou votre fournisseur de gaz.
- Si la veilleuse ne reste pas allumée après plusieurs essais, reportez-vous à l'étape d'arrêt ci-dessous et contactez un technicien de service professionnel qualifié.

Éteindre

Appuyez légèrement sur le bouton de contrôle et tournez-le dans le sens des aiguilles d'une montre pour **OFF** (éteindre). Ne force pas. Voir Fig. 58-2.

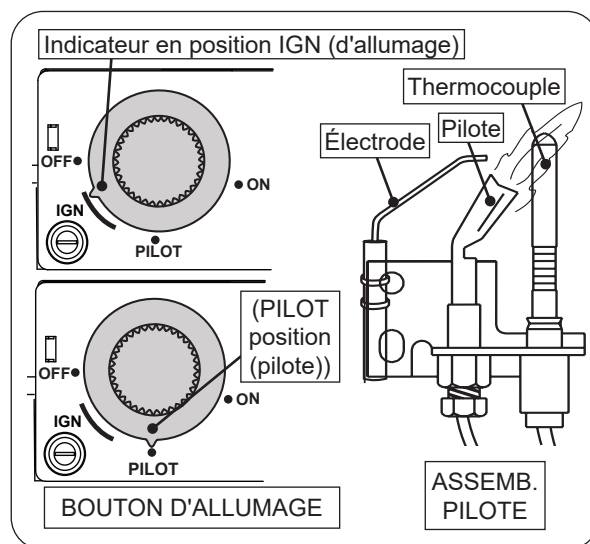


Fig. 58-1 Éclairage pilote

- tournez le bouton sur **OFF** (éteindre), attendez 5 minutes
- tournez le bouton sur **IGN** (allumage), poussez et maintenez 5 secondes
- tourner le bouton sur **PILOT** (pilote) et le maintenir enfoncé pendant 60 secondes

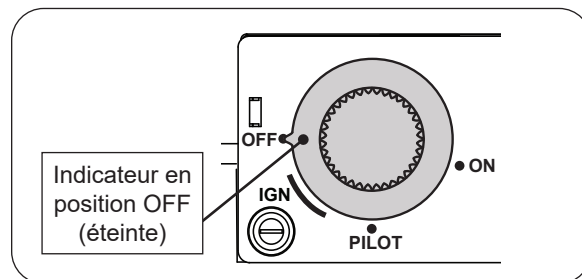


Fig. 58-2 Arrêt du pilote

- tourner le bouton sur **OFF** (éteindre) pour arrêter le pilote

FONCTIONNEMENT DU BRÛLEUR - MODE MANUEL

En mode manuel, si un récepteur à distance est équipé, l'émetteur ne fera pas fonctionner le système de brûleur.

Éclairage

1. Assurez-vous que la veilleuse brûle. Tournez le bouton d'allumage dans le sens antihoraire ↺ sur **ON** (sur) (voir Fig. 59-1).
2. Tournez le bouton de commande dans le sens antihoraire ↺ jusqu'à la position complètement ON (sur) pour allumer le brûleur (voir Fig. 59-1).

Note: Si un système à distance est équipé, assurez-vous que l'interrupteur à 3 positions du récepteur à distance reste en position **OFF** (éteindre) lors de l'éclairage manuel.

La vanne s'ouvrira et le brûleur s'allumera.

Note: Cette séquence prendra environ 5 secondes.

AVERTISSEMENT: Si le brûleur ne s'allume pas dans les 5 secondes, tournez le bouton de commande dans le sens des aiguilles d'une montre ↻ jusqu'à la position **OFF** (éteindre) et le bouton d'allumage dans le sens des aiguilles d'une montre ↻ jusqu'à **PILOT** (pilote). Attendez cinq (5) minutes pour évacuer tout gaz, puis répétez les étapes 1 et 2. **SI VOUS SENTEZ ENSUITE DU GAZ, ARRÊTEZ ! VOIR ÉTAPE B AU DÉBUT DES INSTRUCTIONS D'ALLUMAGE.**

Si le brûleur ne s'allume pas après plusieurs essais, reportez-vous à les étapes d'arrêt total ci-dessous et contactez un technicien de service professionnel qualifié.

Réglage de la hauteur de la flamme

La hauteur de la flamme peut être réglée via le bouton de commande. Tournez le bouton dans le sens antihoraire ↺ vers **ON** (sur) pour augmenter la hauteur de la flamme. Tournez dans le sens des aiguilles d'une montre ↻ vers **OFF** (éteindre) pour diminuer la hauteur de la flamme.

Note: Tourner le bouton de commande sur la position complètement **OFF** éteindra le brûleur. Le pilote restera allumé.

Éteindre

Pour arrêter le brûleur principal (la veilleuse restera allumée), tournez le bouton de commande dans le sens des aiguilles d'une montre ↻ jusqu'à la position complètement **OFF** (éteindre) (voir Fig. 59-2).

Pour arrêter le brûleur et la veilleuse (arrêt total), tournez le bouton de commande dans le sens des aiguilles d'une montre ↻ jusqu'à la position complètement **OFF** (éteindre), enfoncez légèrement le bouton d'allumage et tournez dans le sens des aiguilles d'une montre ↻ jusqu'à **OFF** (voir Fig. 59-2).

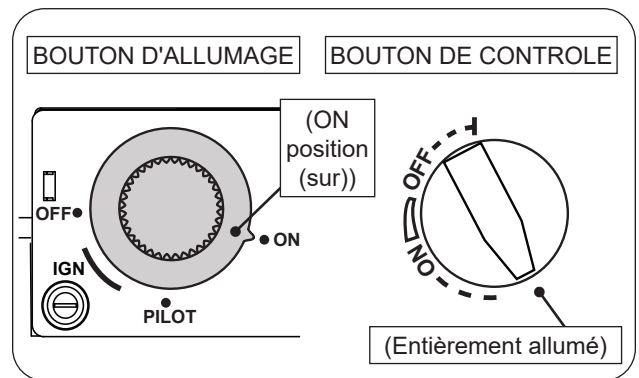


Fig. 59-1 Éclairage manuel

- assurez-vous que la veilleuse est allumée
- tourner le bouton d'allumage sur **ON** (sur)
- tourner le bouton de commande à fond sur **ON** allumer le brûleur

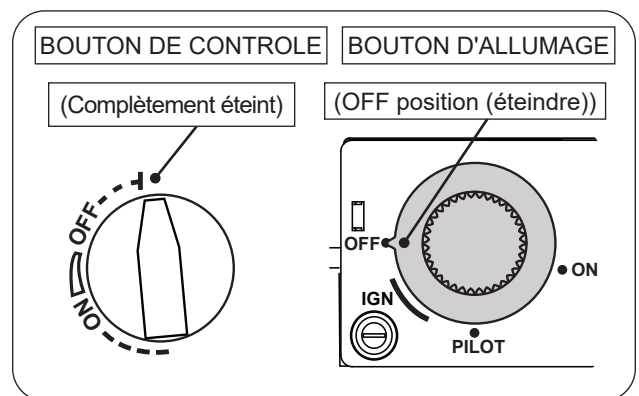


Fig. 59-2 Arrêt manuel

- tournez le bouton de commande sur **OFF** (éteindre) pour éteindre brûleur (uniquement)
- tournez le bouton de commande sur **OFF** et coupez le contact bouton sur **OFF** pour éteindre le brûleur et la veilleuse

FONCTIONNEMENT DU BRÛLEUR - MODE À DISTANCE (le cas échéant)

Note: Si la télécommande ne fonctionne pas et que de nouvelles piles sont installées, reportez-vous à la section SYNC THE REMOTE SYSTEM.

Éclairage

1. Assurez-vous que la veilleuse brûle. Tournez le bouton d'allumage dans le sens antihoraire ↶ sur **ON** (sur) (voir Fig. 60-1).
2. Localisez l'interrupteur à 3 positions sur le récepteur à distance et faites glisser l'interrupteur sur **REMOTE** (télécommande) (voir Fig. 60-1).
3. Localisez la télécommande et maintenez enfoncé le bouton **ON / HI** (sur/ haut) (voir Fig. 60-1). La séquence d'allumage commencera.

Le récepteur à distance émettra un "bip" audible; alors la valve s'ouvrira et le brûleur s'allumera.

Note: Cette séquence prendra environ 5 secondes.

Note: Lors de la première utilisation ou après une période prolongée d'inutilisation, le bouton **ON / HI** (sur/ haut) peut devoir être enfoncé jusqu'à 3 secondes avant de fonctionner.

WARNING: Si le brûleur ne s'allume pas dans les 5 secondes, appuyez sur le bouton **LO / OFF** (faible/éteindre) de la télécommande et maintenez-le enfoncé, faites glisser le commutateur sur **OFF** (éteindre) et tournez le bouton d'allumage dans le sens des aiguilles d'une montre ↷ jusqu'à **PILOT** (pilote). Attendez cinq (5) minutes pour éliminer tout gaz, puis répétez les étapes 1 à 3. **SI VOUS SENTEZ DU GAZ, ARRÊTEZ ! VOIR ÉTAPE B AU DÉBUT DES INSTRUCTIONS D'ALLUMAGE.**

Si le brûleur ne s'allume pas après plusieurs essais, reportez-vous aux étapes d'arrêt total ci-dessous et contactez un technicien de service professionnel qualifié.

Réglage de la hauteur de la flamme

La hauteur de la flamme peut être réglée via l'émetteur à distance. Appuyez sur le bouton **ON / HI** (sur/ haut) et maintenez-le enfoncé pour augmenter la hauteur de la flamme. Appuyez sur le bouton **LO / OFF** (faible/ éteindre) et maintenez-le enfoncé pour diminuer la hauteur de la flamme. Un clic sera entendu lorsque le réglage max / minimum est atteint.

Note: Maintenez le bouton **LO / OFF** (faible/ éteindre) enfoncé pour éteindre le brûleur. Le pilote restera allumé.

Éteindre

Pour arrêter le brûleur principal (la veilleuse restera allumée), appuyez sur le bouton **LO / OFF** (faible/éteindre) de la télécommande et maintenez-le enfoncé jusqu'à ce que le brûleur s'éteigne. **Si la télécommande n'est pas disponible,** faites glisser l'interrupteur du récepteur sur la position **OFF** (éteindre). Voir Fig. 60-2.

Pour éteindre le brûleur et la veilleuse (arrêt total), appuyez sur le bouton **LO / OFF** (faible/éteindre) de la télécommande et maintenez-le enfoncé jusqu'à ce que le brûleur s'éteigne, faites glisser l'interrupteur du récepteur sur **OFF** (éteindre), enfoncez légèrement le bouton d'allumage et tournez-le dans le sens des aiguilles d'une montre ↷ pour **OFF** (éteindre). Voir Fig. 60-2.

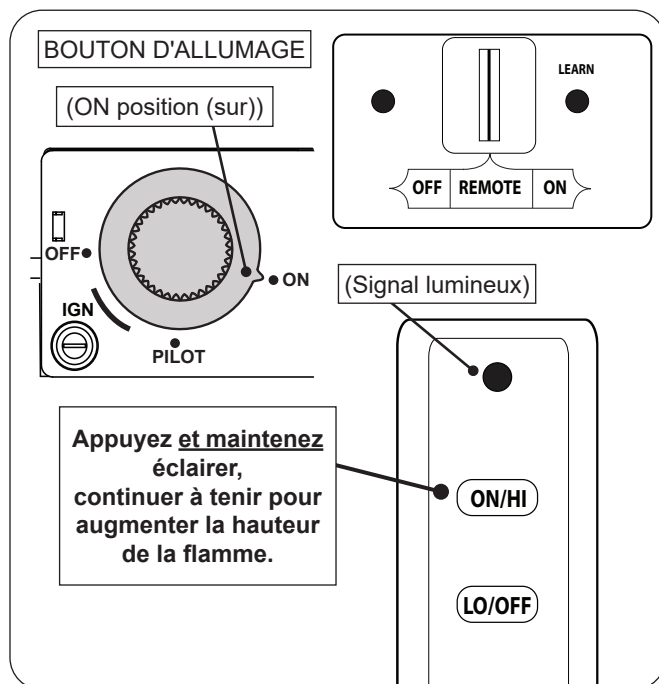


Fig. 60-1 Éclairage à distance

- s'assurer que la veilleuse est allumée
- tourner le bouton d'allumage sur **ON** (sur)
- régler le commutateur sur **REMOTE** (télécommande)
- appuyez sur le bouton **ON/HI** (sur/ haut) et maintenez-le enfoncé pour allumer le brûleur

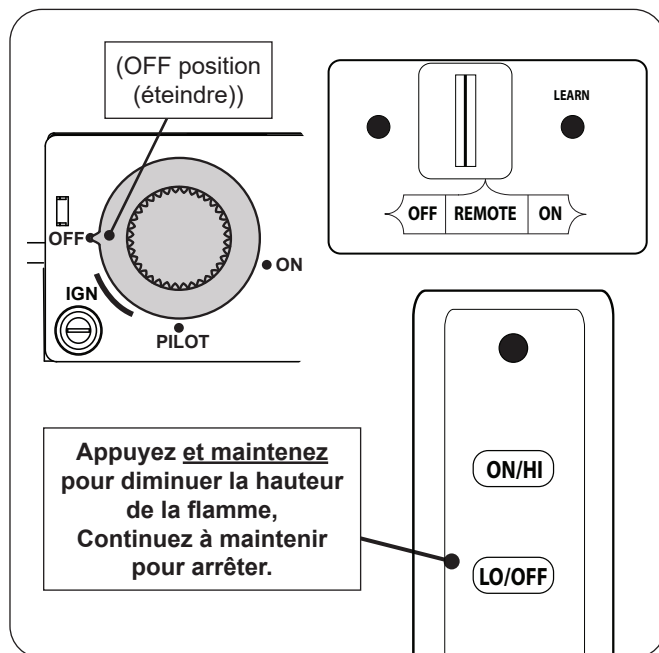


Fig. 60-2 Arrêt à distance

- appuyez sur le bouton **LO / OFF** (faible/ éteindre) et maintenez-le enfoncé pour éteindre le brûleur
- appuyez sur le bouton **LO / OFF** et maintenez-le enfoncé, réglez l'interrupteur sur **OFF** (éteindre) et tournez le bouton d'allumage sur **OFF** pour éteindre le brûleur et la veilleuse

INSTRUCTIONS D'ÉCLAIRAGE - SÉRIE 17

POUR VOTRE SÉCURITÉ, LIRE AVANT D'ALLUMER

AVERTISSEMENT: Si vous ne suivez pas exactement ces instructions, un incendie ou une explosion peutes dommages matériels, les blessures corporelles ou la mort. Soyez prudent autour de toutes les surfaces chaudes.

- A.** Cet appareil a une veilleuse qui peut être allumée à la l'aide de l'allumeur piézo intégré, ou main à l'aide d'une longue allumette de cheminée ou d'un briquet. Lorsque vous allumez la veilleuse, suivez exactement ces instructions.
- B. AVANT L'ALLUMAGE, sentez le gaz tout autour de l'appareil. Assurez-vous de sentir près du sol parce que certains gaz sont plus lourds que l'air et se déposent sur le sol. QUE FAIRE SI VOUS SENTEZ DU GAZ.**
- N'essayez pas d'allumer un appareil.
 - Ne touchez à aucun interrupteur électrique; n'utilisez aucun téléphone dans votre immeuble.
 - Appelez immédiatement votre fournisseur de gaz à partir du téléphone d'un voisin. Suivez les instructions du fournisseur de gaz. Si vous ne pouvez pas joindre votre fournisseur de gaz, appelez les pompiers.
- C.** N'utilisez que votre main pour pousser ou tourner le bouton de commande de gaz. N'utilisez jamais d'outils. Si le bouton ne s'enfonce pas ou ne tourne pas à la main, n'essayez pas de le réparer. Appelez un technicien de service professionnel qualifié. Force ou tentative de réparation peut provoquer un incendie ou une explosion.
- D.** N'utilisez pas cet appareil si l'une des pièces a été submergée. Appelez immédiatement un technicien de service professionnel qualifié inspecter l'appareil et pour remplacer toute pièce du système de commande et toute commande de gaz qui a été sous-marin.

FONCTIONNEMENT DU PILOTE

Éclairage

1. ARRÊTER! Lisez les informations de sécurité ci-dessus.
2. Localisez la vanne sur le côté de l'unité. Pousser le gaz bouton de commande légèrement et tourner dans le sens des aiguilles d'une montre sur **OFF** (éteindre) (voir Fig. 61-2).

Note: Le bouton de commande ne peut pas être tourné de **PILOT** (pilote) à **OFF** (éteindre) sauf si le bouton est légèrement enfoncé. Ne force pas.

Attendez cinq (5) minutes pour éliminer tout gaz. Si vous sentez alors une odeur de gaz, ARRÊTEZ ! Suivez "B" dans les informations de sécurité ci-dessus. Si vous ne sentez pas d'odeur de gaz, passez à l'étape suivante.

3. Localisez l'assemblage de la veilleuse sur le côté ou à l'arrière du bac du brûleur (voir Fig. 61-1).
4. Tournez le bouton de commande dans le sens antihoraire sur **PILOT** (pilote). Appuyez **fermement et complètement** sur le bouton de commande et maintenez-le enfoncé. Appuyez plusieurs fois sur le bouton de l'allumeur piézo jusqu'à ce que la veilleuse s'allume. Continuez à maintenir le bouton enfoncé pendant environ une (1) minute après l'allumage de la veilleuse. Relâchez le bouton et il ressortira. La veilleuse restera allumée. Voir la Fig. 61-1. S'il s'éteint, répétez les étapes 2 à 4.

Alternativement, une allumette à longue tige / un briquet au butane à long col peut être tenu près du thermocouple pour allumer la veilleuse.

- Si le bouton ne s'ouvre pas lorsqu'il est relâché, arrêtez-vous et appelez immédiatement votre technicien de service ou votre fournisseur de gaz.
- Si la veilleuse ne reste pas allumée après plusieurs essais, reportez-vous à l'étape d'arrêt ci-dessous et contactez un technicien de service professionnel qualifié.

Éteindre

Appuyez légèrement sur le bouton de contrôle et tournez-le dans le sens des aiguilles d'une montre sur **OFF** (éteindre). Ne force pas. Voir Fig. 61-2.

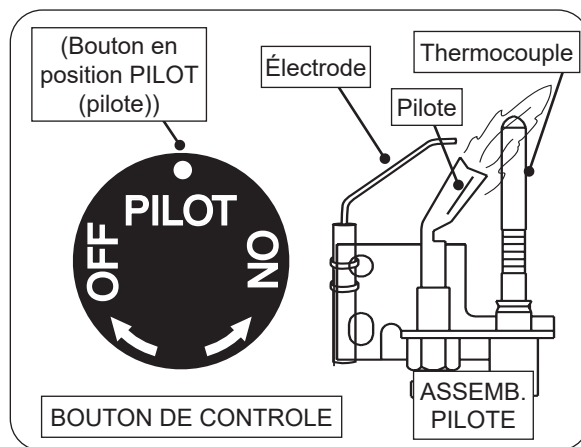


Fig. 61-1 Éclairage pilote

- tournez le bouton sur **OFF** (éteindre), attendez 5 minutes
- tourner le bouton sur **PILOT** (pilote)
- enfoncer le bouton et le maintenir
- utiliser piézo ou allumette / briquet pour allumer la veilleuse

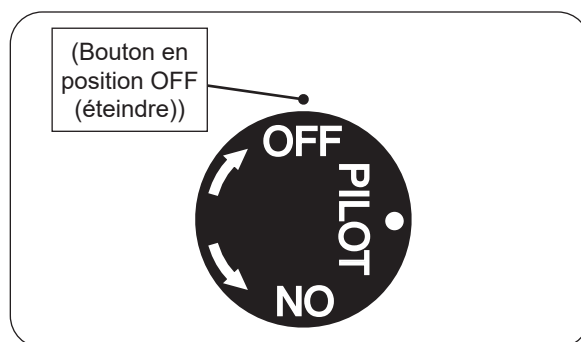


Fig. 61-2 Arrêt du pilote

- tournez le bouton sur **OFF** (éteindre) pour arrêter le pilote

FONCTIONNEMENT DU BRÛLEUR - MODE MANUEL

En mode manuel, si un récepteur à distance est équipé, l'émetteur ne fera pas fonctionner le système de brûleur.

Éclairage

1. Assurez-vous que la veilleuse brûle. Tournez le bouton de commande dans le sens antihoraire ↻ ON (sur) pour allumer le brûleur (voir Fig. 62-1).

Note: Si un système à distance est équipé, assurez-vous que l'interrupteur à 3 positions du récepteur à distance reste en position **OFF** (éteindre) lors de l'éclairage manuel..

La vanne s'ouvrira et le brûleur s'allumera.

Note: Cette séquence prendra environ 5 secondes.

AVERTISSEMENT: Si le brûleur ne s'allume pas dans les 5 secondes, tournez le bouton de commande dans le sens des aiguilles d'une montre ↻ sur **PILOT**. Attendez cinq (5) minutes pour évacuer tout gaz, puis répétez l'étape 1. **SI VOUS SENTEZ ENSUITE DU GAZ, ARRÊTEZ ! VOIR L'ÉTAPE BAU DÉBUT DES INSTRUCTIONS D'ALLUMAGE.**

Si le brûleur ne s'allume pas après plusieurs essais, reportez-vous à l'étape d'arrêt total ci-dessous et contactez un technicien de service professionnel qualifié.

Éteindre

Pour arrêter le brûleur principal (la veilleuse restera allumée), tournez le bouton de commande dans le sens des aiguilles d'une montre ↻ jusqu'à **PILOT** (pilote) (voir Fig. 62-2).

Pour arrêter le brûleur et la veilleuse (arrêt total), poussez légèrement le bouton de commande et tournez dans le sens des aiguilles d'une montre ↻ jusqu'à **OFF** (éteindre) (voir Fig.62-2).

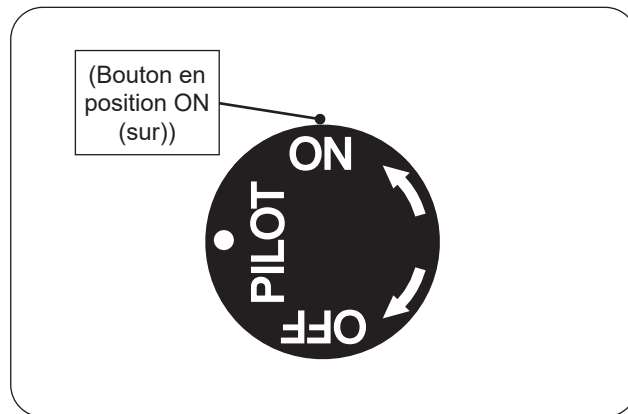


Fig. 62-1 Éclairage manuel

- s'assurer que la veilleuse est allumée
- tourner le bouton sur ON (sur) pour allumer le brûleur

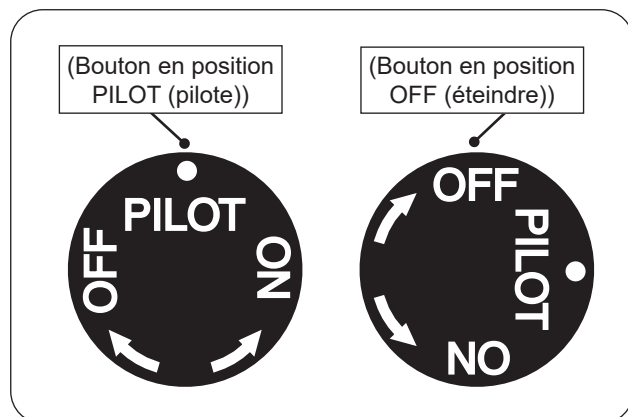


Fig. 62-2 Arrêt manuel

- tournez le bouton sur PILOT (pilote) pour éteindre le brûleur (uniquement)
- 0tournez le bouton sur OFF (éteindre) pour arrêter le brûleur et la veilleuse

FONCTIONNEMENT DU BRÛLEUR - MODE À DISTANCE (le cas échéant)

Note: Si la télécommande ne fonctionne pas et que de nouvelles piles sont installées, reportez-vous à la section SYNC THE REMOTE SYSTEM.

Éclairage

1. Assurez-vous que la veilleuse brûle. Localisez ensuite l'interrupteur à 3 positions sur le récepteur à distance et faites glisser l'interrupteur sur la position **REMOTE** (télécommande) (voir Fig. 63-1).

2. Localisez la télécommande et maintenez enfoncé le bouton **ON/HI** (sur/ haut) (voir Fig. 63-1). La séquence d'allumage commencera.

Le récepteur à distance émettra un "bip" audible; alors la valve s'ouvrira et le brûleur s'allumera.

Note: Cette séquence prendra environ 5 secondes.

Note: Lors de la première utilisation ou après une période prolongée d'inutilisation, le bouton **ON / HI** (sur/ haut) peut devoir être enfoncé jusqu'à 3 secondes avant de fonctionner.

WARNING: Si le brûleur ne s'allume pas dans les 5 secondes, appuyez sur le bouton **LO/OFF** (faible/éteindre) de la télécommande et maintenez-le enfoncé et faites glisser l'interrupteur sur **OFF** (éteindre). Attendez cinq (5) minutes pour évacuer tout gaz, puis répétez les étapes 1 et 2. **SI VOUS SENTEZ ENSUITE DU GAZ, ARRÊTEZ ! VOIR ÉTAPE B AU DÉBUT DES INSTRUCTIONS D'ALLUMAGE.**

Si le brûleur ne s'allume pas après plusieurs essais, reportez-vous aux étapes d'arrêt total ci-dessous et contactez un technicien de service professionnel qualifié.

Réglage de la hauteur de la flamme

La hauteur de la flamme peut être réglée via l'émetteur à distance. Appuyez sur le bouton **ON / HI** (sur/ haut) et maintenez-le enfoncé pour augmenter la hauteur de la flamme. Appuyez sur le bouton **LO / OFF** (faible/ éteindre) et maintenez-le enfoncé pour diminuer la hauteur de la flamme. Un clic sera entendu lorsque le réglage max / minimum est atteint.

Note: Maintenez le bouton **LO / OFF** enfoncé pour éteindre le brûleur. Le pilote restera allumé.

Éteindre

Pour arrêter le brûleur principal (la veilleuse restera allumée), appuyez sur le bouton **LO/OFF** (faible/éteindre) de la télécommande et maintenez-le enfoncé jusqu'à ce que le brûleur s'éteigne. **Si la télécommande n'est pas disponible,** faites glisser l'interrupteur du récepteur sur la position **OFF** (éteindre). Voir Fig. 63-2.

Pour éteindre le brûleur et la veilleuse (arrêt total), appuyez sur le bouton **LO/OFF** (faible/éteindre) de la télécommande et maintenez-le enfoncé jusqu'à ce que le brûleur s'éteigne, faites glisser l'interrupteur du récepteur sur **OFF** (éteindre), enfoncez légèrement le bouton de commande et tournez-le dans le sens des aiguilles d'une montre ↻ pour **OFF**. Voir Fig. 63-2.

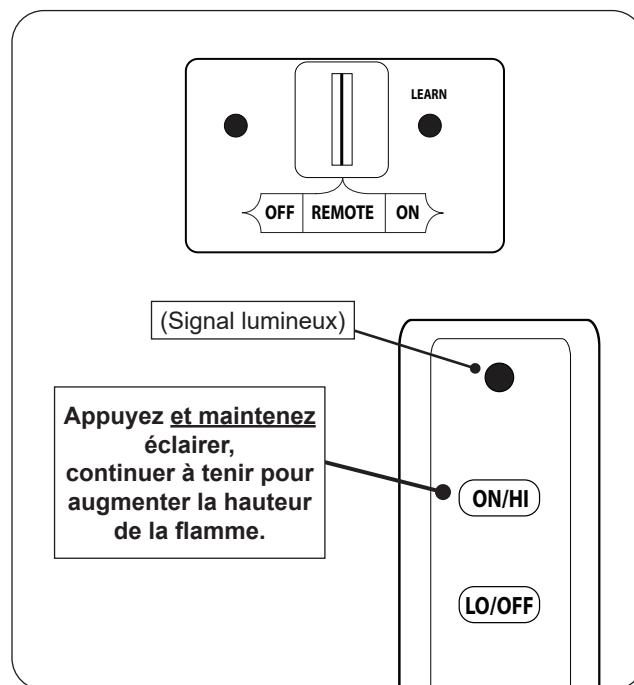


Fig. 63-1 Éclairage à distance

- s'assurer que la veilleuse est allumée
- régler le commutateur sur **REMOTE** (télécommande)
- appuyez sur le bouton **ON/HI** (sur/ haut) et maintenez-le enfoncé pour allumer le brûleur

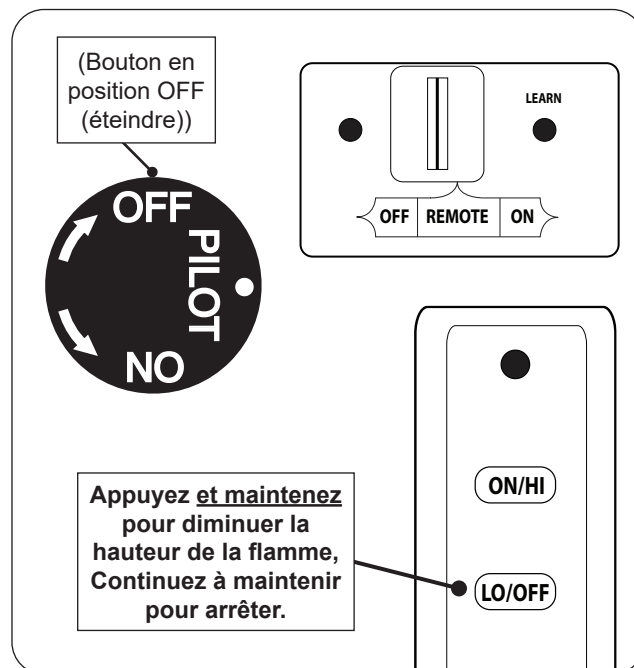


Fig. 63-2 Arrêt à distance

- appuyez sur le bouton **LO / OFF** (faible/ éteindre) et maintenez-le enfoncé pour éteindre le brûleur
- appuyez sur le bouton **LO / OFF** et maintenez-le enfoncé, réglez l'interrupteur sur **OFF** (éteindre) et tournez le bouton sur **OFF** pour éteindre le brûleur et la veilleuse

WARRANTY

PETERSON VENTED DECORATIVE GAS APPLIANCE LIMITED WARRANTY

R.H. Peterson Co. ("RHP") warrants your Real Fyre® vented decorative gas appliance to be free from defects in material and workmanship. RHP vented refractory gas logs are warranted for **as long as the original purchaser owns them (lifetime) when used indoors and for THREE (3) YEARS when used outdoors.** RHP vented fiber-ceramic blended gas logs are warranted for **FIVE (5) YEARS when used indoors and for THREE (3) YEARS when used outdoors.** RHP **indoor** vented gas log burners and stainless steel burners (excluding controls) are warranted for **TEN (10) YEARS.** RHP **outdoor** vented stainless steel burners (excluding controls) are warranted for **FIVE (5) YEARS.** The **SPK-26** is warranted for **THREE (3) YEARS** and **APK-17** (including -17 valve) is warranted for **TWO (2) YEARS.** All other valves, pilots, and controls are warranted for **ONE (1) YEAR** (excluding batteries). RHP glass, gems, and nuggets are warranted for **TEN (10) YEARS.**

A COPY OF YOUR SALES SLIP FOR PROOF OF PURCHASE IS REQUIRED

This warranty applies to the original residential purchaser for products which are installed in the United States or Canada and which are operated and maintained as intended for single family residential usage. This warranty is valid only with proof of purchase, commences on the date of purchase, and terminates (both as to original and any replacement products) on the anniversary date of the original purchase of the product per the above schedules.

This warranty covers defects in material and workmanship. This warranty **does not** cover parts which become defective as a result of negligence, misuse, use not in compliance with the Installation and Owner's Manual, accidental damage, improper handling, improper storage, improper installation, **lack of required routine maintenance** (as specified in the Installation and Owner's Manual), electrical damage, local gas impurities or failure to protect against combustible materials. Product must be installed (and gas must be connected) as specified in the Installation and Owner's Manual by a **qualified professional installer**. This warranty **does not** apply to rust, corrosion, oxidation, or discoloration unless the affected part becomes inoperable. RHP products including valves, pilots and controls, are designed and certified to be used as a system. Modifications to products which are not specifically authorized will void this warranty and could render the product to be unsafe. Burners, valves, parts, accessories, remotes, etc. used with this product must be RHP products or this warranty is void.

Warranted items will be repaired or replaced at RHP's sole discretion. This warranty **does not** cover labor or labor related charges, except as provided by separate specific written programs from RHP. All repair work must be performed by a qualified professional service person and requires prior approval of RHP.

RHP may require the defective product or part to be returned to the factory to determine the cause of failure. RHP will pay freight charges if the product or part is determined to be defective. This warranty does not cover breakage in shipment from our independent distributor to its customer if the damage is determined to have occurred during that shipment.

This warranty specifically excludes liability for **indirect, incidental, or consequential** damages. Some states and provinces do not allow the exclusion or limitation of incidental or consequential damages, so the above exclusion may not apply to you. This warranty gives you specified legal rights, and you may have other rights that vary from state to state or province.

For additional information regarding this warranty, or to place a warranty claim, contact the RHP dealer where the product was purchased.

When contacting your RHP dealer or the R.H. Peterson Co., please provide the following information:

- Your name, address, telephone number, e-mail
- Sales receipt showing where purchased and date purchased
- Model number, serial number of product, date code
- Relevant information: installer, additions, repairs, when defect was first noted

**TO REGISTER YOUR PRODUCT ONLINE GO TO: WWW.RHPETERSON.COM,
AND CLICK ON PRODUCT REGISTRATION. THANK YOU FOR YOUR PURCHASE.**

Quality Check			Date: _____		
Burner Orifices	Nat.	L.P.	Leak Test: _____	Model#:	_____
Main:	_____	_____	Burn Test: _____	Serial#:	_____
Other:	_____	_____	Gas Type: <u>Nat. / L.P.</u>	Air Shutter:	_____
				Inspector:	_____