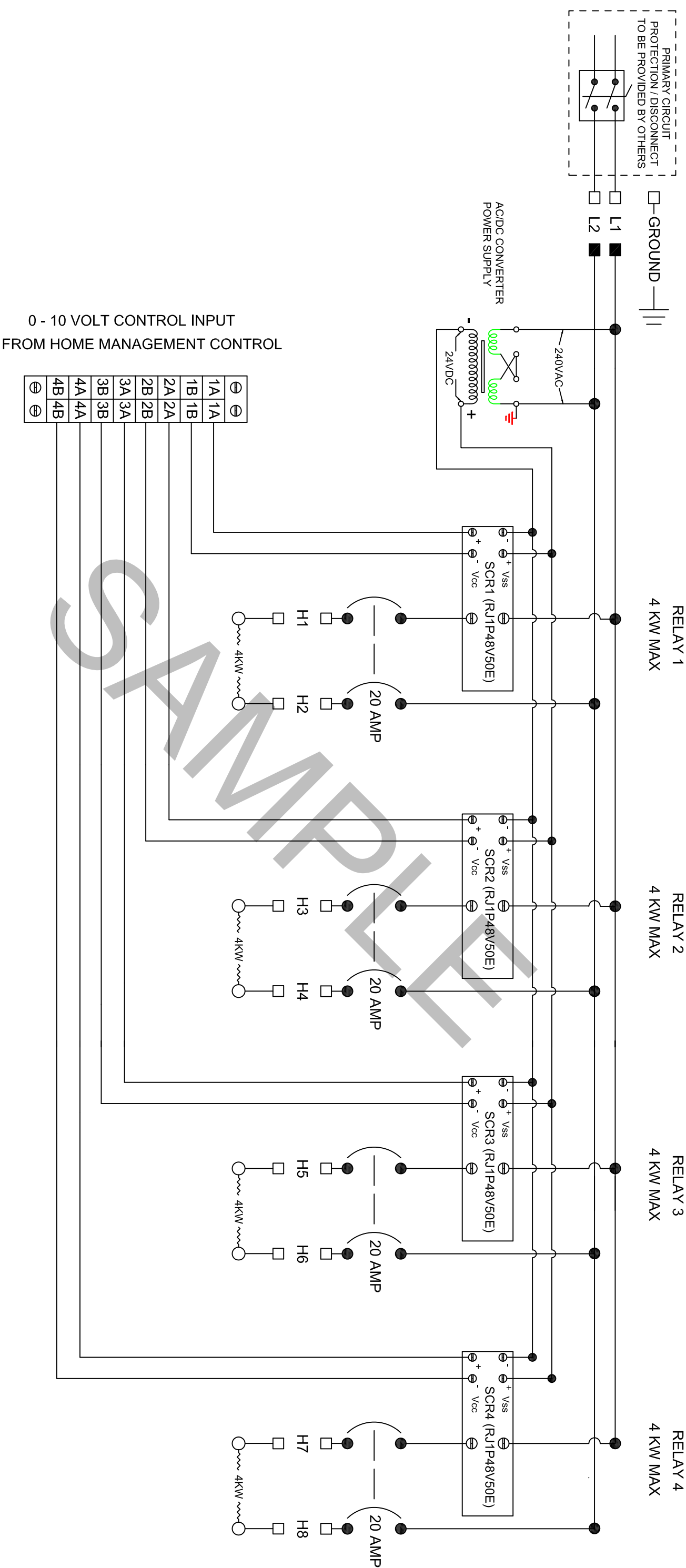


240 VOLT 1Ø 80 AMPS



**INFRA TECH**  
344 W. 157th Street  
Gardena, California 90248  
Phone: (310) 354-1250  
Fax: (310) 523-9674  
www.infotech-usa.com

DESCRIPTION CUSTOM HOME MANAGEMENT  
CONTROL PANEL  
240 VOLT 1Ø 80 AMPS

CUSTOMER SAMPLE

DATE ITEM# X-30-4064

JOB# U/L#